

# Specification Data

# UNILUX

## MULTIPASS FLEXIBLE WATERTUBE BOILERS

### HOT WATER BOILERS



**Unilux Advanced  
Manufacturing, LLC**  
30 Commerce Park Drive  
Niskayuna, NY 12309  
518.344.7490

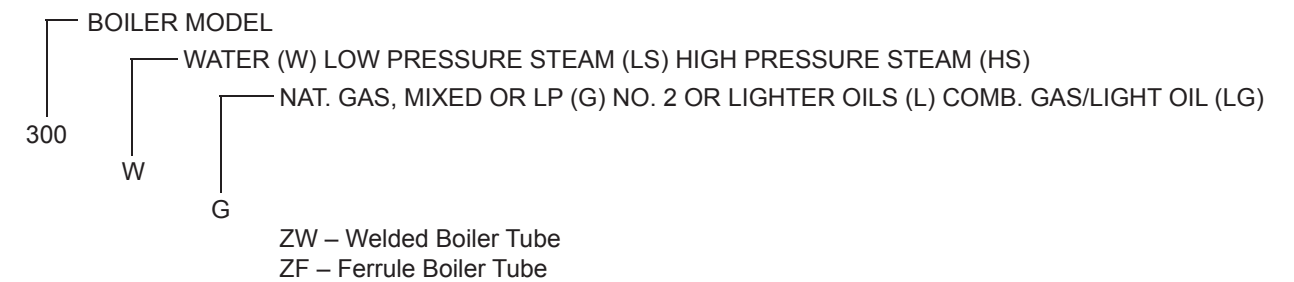
Fax: (518) 344-7495  
E-mail: info@uniluxam.com  
Web Site: www.uniluxam.com

*"From commercial comfort to industrial process"*

### UNILUX HOT WATER BOILER CAPACITIES:

BOILER MODEL W	MAXIMUM FUEL INPUT BTU/HR IN THOUSANDS	BOILER OUTPUT BTU/HR IN THOUSANDS	APPROX. BOILER HORSE POWER	SHIPPING WEIGHT LBS	OPERATING WEIGHT LBS	WATER CONTENT U.S. GALLONS
100	1250	1062	31.5	3290	3790	60
150	1750	1488	44.5	3800	4380	70
200	2200	1870	56	4400	5035	76
250	2750	2338	70	5000	5750	90
300	3000	2550	76	5600	6410	97
350	3750	3188	95.2	6100	6985	106
400	4300	3655	109	6800	7800	120
500	5400	4590	137	8200	9660	175
600	6250	5313	159	9000	10625	195
700	7235	6150	184	10000	11820	218
800	8270	7030	210	11400	13650	270
900	9300	7905	236	12140	14580	293
1000	10330	8780	262	13200	15870	320
1200	12400	10540	315	15480	18625	377
1400	14470	12300	367	16600	20100	420
1600	16530	14050	420	18800	22680	465
1800	18600	15810	472	20960	25210	510
2000	20670	17570	525	22700	27290	550
2500	25000	21250	635	28500	35000	776
2900	29000	24650	736	30800	38000	865
3000	34000	28900	863	43160	53880	1285
3500	38000	32300	965	49000	61340	1480

#### ORDER NUMBER PROCEDURE: Example – ZF 300WG



SPECIFICATIONS ARE SUBJECT TO CHANGE WITHOUT NOTICE. DIMENSIONS MUST BE CONFIRMED FOR CONSTRUCTION.

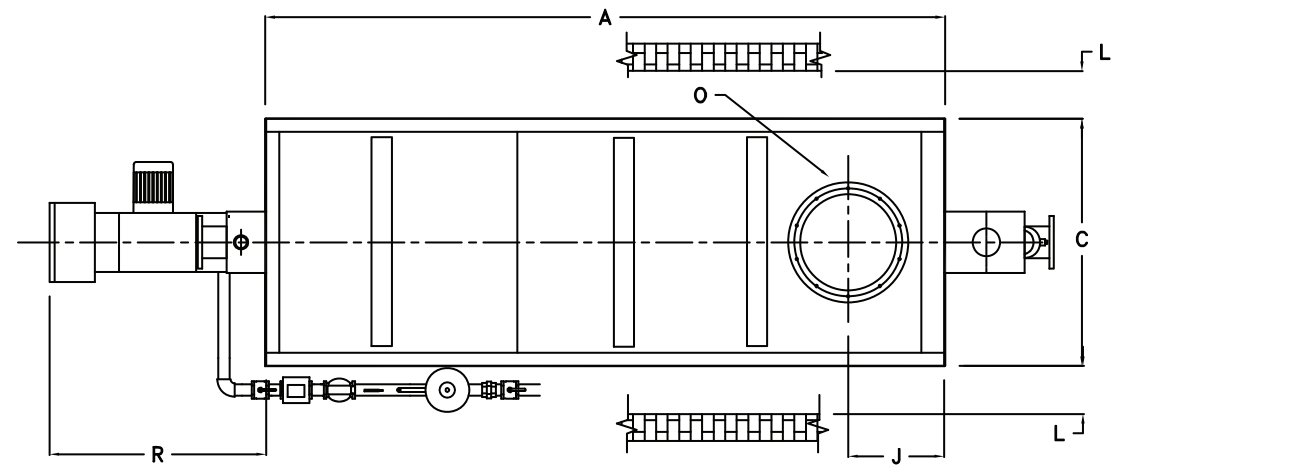
#### STANDARD EQUIPMENT:

- PRESSURE GAUGE • THERMOMETER
- LWCO • RELIEF VALVES • BURNER OPERATING AND SAFETY TEMPERATURE CONTROLS

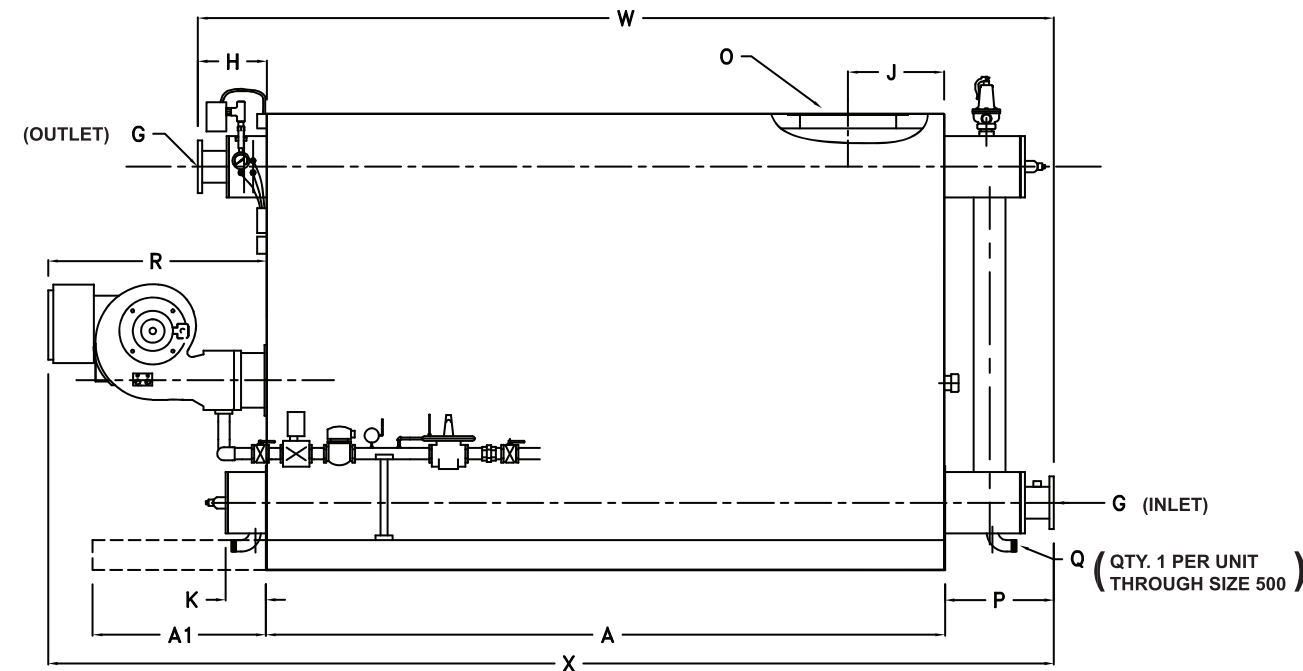
#### UNILUX REPRESENTATIVE:

ALL BURNER EQUIPMENT UL, CSA APPROVED

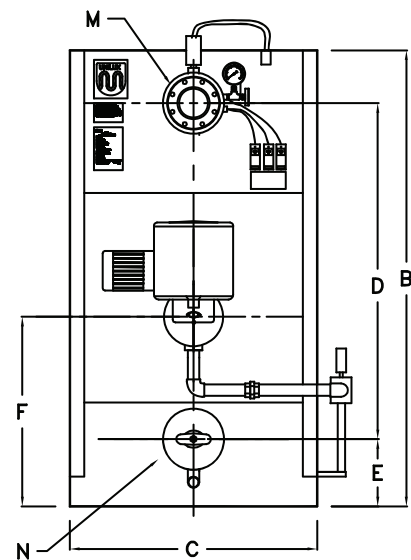




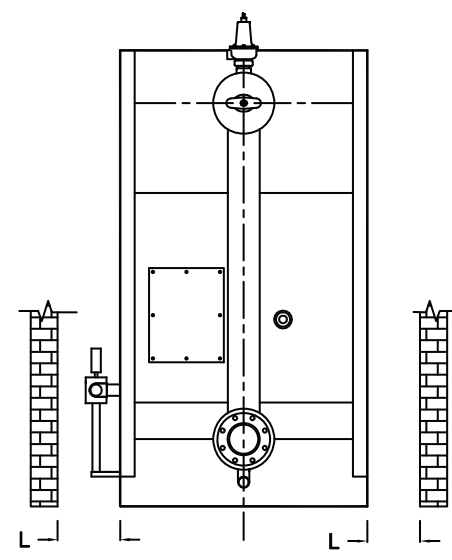
TOP VIEW



SIDE VIEW



FRONT VIEW



REAR VIEW

**HOT WATER BOILER**

**DIMENSIONS**

BOILER MODEL-W	100	150	200	250	300	350	400	500	600	700	800
A LENGTH OF BASE	51	63	63	72	72	78	87	99 1/4	111 1/4	120 1/2	120 1/2
A1 LENGTH OF SUPPORT FROM BASE	-	-	-	-	-	-	-	-	-	-	-
B HEIGHT	71 1/2	71 1/2	76	76	80 1/2	80 1/2	80 1/2	85	85	87	95
C WIDTH OF BASE	35 1/2	35 1/2	39 1/2	39 1/2	43 1/2	43 1/2	43 1/2	45 1/2	45 1/2	47 1/2	51 1/2
D CTR. LOWER DRUM TO CTR. UPPER DRUM	52 1/2	52 1/2	57	57	61 1/2	61 1/2	61 1/2	64	64	66	70
E CENTER OF LOWER DRUM TO BOTTOM	9 1/2	9 1/2	9 1/2	9 1/2	9 1/2	9 1/2	9 1/2	11	11	11	14
F CENTER OF BURNER OPENING TO BOTTOM	27	27	29	29	31	31	31	34	34	35	39 1/2
G INLET/OUTLET FLANGE, CLASS 150	2 1/2	2 1/2	3	3	4	4	4	5	5	5	6
H NOZZLE CLEARANCE FROM TOP FRONT	14 1/4	14 1/4	14 1/4	14 1/4	14 1/4	14 1/4	14 1/4	14 1/4	14 1/4	14 1/4	14 1/4
J CENTER OF FLUE GAS OUTLET TO REAR	14	14	15	15	16	16	17	17	18	19	19
K DRUM CLEARANCE FROM BASE, FRONT	1 3/4	1 3/4	1 3/4	1 3/4	1 3/4	1 3/4	1 3/4	8 5/8	8 5/8	8 5/8	8 5/8
L TUBE REMOVAL CLEARANCE FROM BASE	18	18	22	22	26	26	26	28	28	30	34
M UPPER DRUM O.D., NPS	8 5/8	8 5/8	8 5/8	8 5/8	8 5/8	8 5/8	8 5/8	10 3/4	10 3/4	10 3/4	12 3/4
N LOWER DRUM O.D., NPS	8 5/8	8 5/8	8 5/8	8 5/8	8 5/8	8 5/8	8 5/8	10 3/4	10 3/4	10 3/4	12 3/4
O FLUE GAS OUTLET, I.D.	8	8	10	10	12	12	14	14	16	18	18
P NOZZLE CLEARANCE FROM BASE, REAR	19 1/8	19 1/8	19 1/8	20 1/8	20 1/8	20 1/8	20 1/8	21 5/8	21 5/8	22 5/8	22 5/8
Q BLOWDOWN, NPT	1 1/2	1 1/2	1 1/2	1 1/2	1 1/2	1 1/2	1 1/2	1 1/2	1 1/2	1 1/2	2
R BURNER DIMENSION (EST)	34	34	34	38	38	38	38	38	38	46	46
W OVERALL BOILER LENGTH	84 3/8	96 3/8	96 3/8	106 3/8	106 3/8	112 3/8	121 3/8	135 1/8	147 1/8	157 3/8	157 3/8
X OVERALL BOILER LENGTH WITH BURNER	104 1/8	116 1/8	116 1/8	130 1/8	130 1/8	136 1/8	145 1/8	158 7/8	170 7/8	189 1/8	189 1/8

BOILER MODEL-W	900	1000	1200	1400	1600	1800	2000	2500	2900	3000	3500
A LENGTH OF BASE	129 1/2	141 1/2	159 1/2	174 3/4	186 3/4	186 3/4	195 3/4	204 3/8	219 1/16	237 1/2	265 1/2
A1 LENGTH OF SUPPORT FROM BASE	-	-	-	-	-	-	-	-	-	TBA	TBA
B HEIGHT	95	95	99	99	101	106 1/2	106 1/2	129 7/16	135 3/8	147 1/2	157 1/2
C WIDTH OF BASE	51 1/2	51 1/2	55 1/2	55 1/2	59 1/2	65 1/2	71 1/2	84	84	102	102
D CTR. LOWER DRUM TO CTR. UPPER DRUM	70	70	74	74	76	81 1/2	81 1/2	98	104	115	125
E CENTER OF LOWER DRUM TO BOTTOM	14	14	14	14	14	14	14	15 7/16	15 7/16	17 1/2	17 1/2
F CENTER OF BURNER OPENING TO BOTTOM	39 1/2	39 1/2	41	41	41	44 1/2	44 1/2	52	54 1/4	59	61
G INLET/OUTLET FLANGE, CLASS 150	6	6	6	8	8	8	8	10	10	10	12
H NOZZLE CLEARANCE FROM TOP FRONT	14 1/4	14 1/4	14 1/4	17 1/8	17 1/8	17 1/8	17 1/8	24 7/8	24 7/8	24 7/8	24 7/8
J CENTER OF FLUE GAS OUTLET TO REAR	20	20	21	22	23	23	23	28	30	28	29
K DRUM CLEARANCE FROM BASE, FRONT	8 5/8	8 5/8	8 5/8	8 5/8	8 5/8	8 5/8	8 5/8	10 3/8	10 3/8	10 3/8	10 3/8
L TUBE REMOVAL CLEARANCE FROM BASE	34	34	38	38	42	48	54	60	60	76	76
M UPPER DRUM O.D., NPS	12 3/4	12 3/4	12 3/4	12 3/4	12 3/4	12 3/4	12 3/4	16	16	16	16
N LOWER DRUM O.D., NPS	12 3/4	12 3/4	12 3/4	12 3/4	12 3/4	12 3/4	12 3/4	16	16	16	16
O FLUE GAS OUTLET, I.D.	20	20	22	24	24	26	26	28	30	30	32
P NOZZLE CLEARANCE FROM BASE, REAR	22 5/8	22 5/8	22 5/8	25 1/8	25 1/8	27 1/8	27 1/8	37 7/8	37 7/8	37 3/4	37 3/4
Q BLOWDOWN, NPT	2	2	2	2	2	2	2	2	2	2	2
R BURNER DIMENSION (EST)	46	46	46	46	46	46	46	46	46	46	46
W OVERALL BOILER LENGTH	166 3/8	178 3/8	196 3/8	217	229	231	240	267 1/8	281 13/16	300 1/8	328 1/8
X OVERALL BOILER LENGTH WITH BURNER	198 1/8	210 1/8	228 1/8	245 7/8	257 7/8	259 7/8	268 7/8	288 1/4	302 15/16	321 1/4	349 1/4

Note: Burner dimension "R" is based upon approximate lengths of combustion equipment. Actual dimensions for "R" and "X" may vary accordingly.

ALL DIMENSIONS SHOWN IN INCHES

Note: Dimensions subject to change without notice. Consult factory for certified dimensions.



The Ultimate Heat