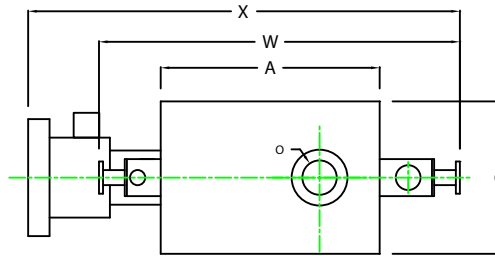
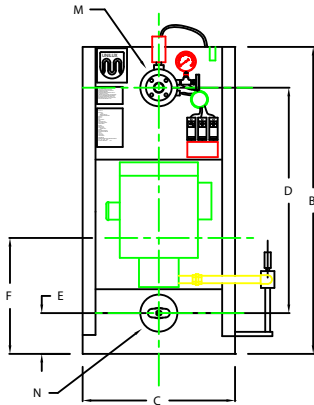


# ZF0100W

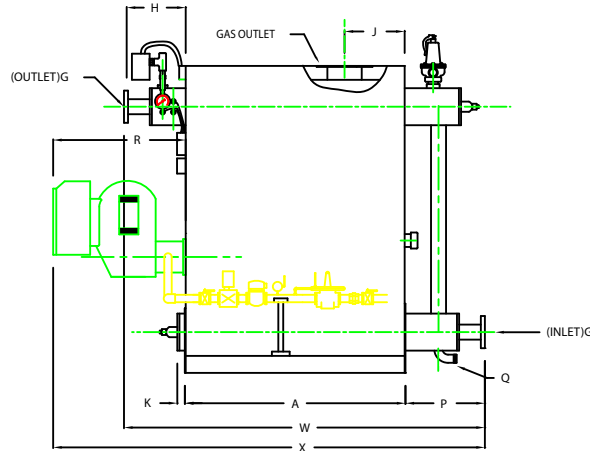


PLAN

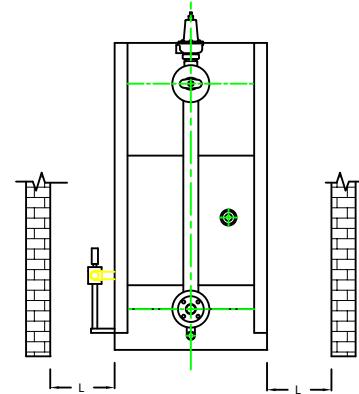
CHIMNEY FLANGE DIMS:  
 O.D. = 13"  
 I.D. = 8-1/4"  
 B.C.D = 10-1/2"  
 NO. OF HOLES = 6  
 HOLE DIAMETER = 0.53"



FRONT VIEW



SIDE VIEW



REAR VIEW

	BOILER MODEL - ZF100W	INCHES	METRIC
A	LENGTH OF BASE	51	1295
A1	LENGTH OF SUPPORT FROM BASE	-	-
B	HEIGHT	71 1/2	1816
C	WIDTH OF BASE	35 1/2	902
D	CTR. LOWER DRUM TO CTR. UPPER DRUM	52 1/2	1334
E	CENTER OF LOWER DRUM TO BOTTOM	9 1/2	242
F	CENTER OF BURNER OPENING TO BOTTOM	27	686
G	INLET / OUTLET FLANGE, CLASS 150	2 1/2	64
H	NOZZLE CLEARANCE FROM TOP FRONT	14 1/4	362
J	CENTER OF FLUE GAS OUTLET TO REAR	14	356
K	DRUM CLEARANCE FROM BASE, FRONT	1 3/4	45
L	TUBE REMOVAL CLEARANCE FROM BASE	18	457
M	UPPER DRUM, OD, NPS	8 5/8	219
N	LOWER DRUM, OD, NPS	8 5/8	219
O	FLUE GAS OUTLET, ID	8	203
P	NOZZLE CLEARANCE FROM BASE, REAR	19 1/8	486
Q	BLOWDOWN, NPT	1 1/2	38
R	BURNER DIMENSION	31 1/8	791
W	OVERALL BOILER LENGTH	84 3/8	2143
X	OVERALL BOILER LENGTH WITH BURNER	101 1/4	2572

NOTE: DIMENSIONS SUBJECT TO CHANGE WITHOUT NOTICE  
 CONSULT FACTORY FOR CERTIFIED DIMENSIONS.

NOTE: "X" DIMENSION MAY VARY BASED ON BURNER

**UNILUX ADVANCED MFG., LLC**  
 30 COMMERCE PARK DRIVE  
 NISKAYUNA, NY 12309  
 Ph: (518) 344-7490 Fax: (518) 344-7495

THIS DRAWING PROVIDES A CONFIDENTIAL, PROPRIETARY DESIGN. ALL RIGHTS FOR REPRODUCTION, MANUFACTURING OR PATENTS ARE RESERVED BY UNILUX BOILER CORP.

PROJECT:	-
LOCATION:	-
Model Sizes	ZF 100W
BURNER	-
ELECTRIC	-
SUPPLY PSI	-
Drawn By:	RIZ RACAZA
Checked By:	DAVID RAMSON
Drawing No.:	QB000000
File No.:	JB000000
Date:	05AUG09
Date:	05AUG09
Scale:	NTS
REV.:	0

REVISIONS	DATE	BY	Rev No.: