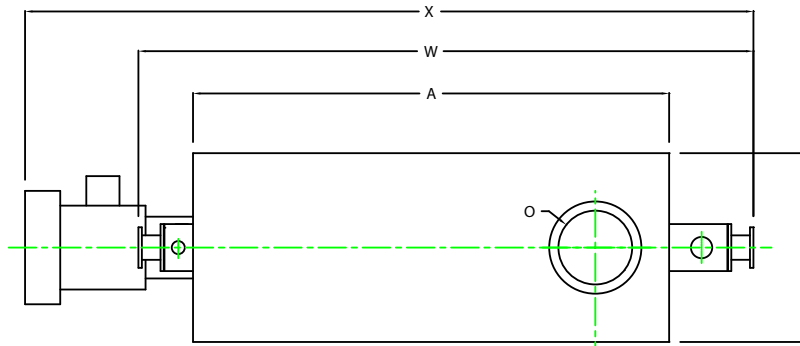
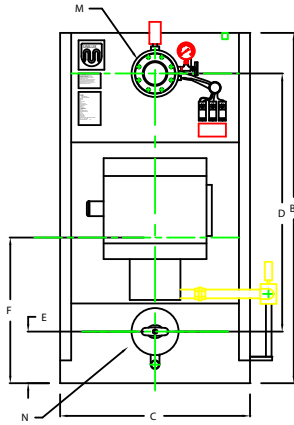


ZF0900W

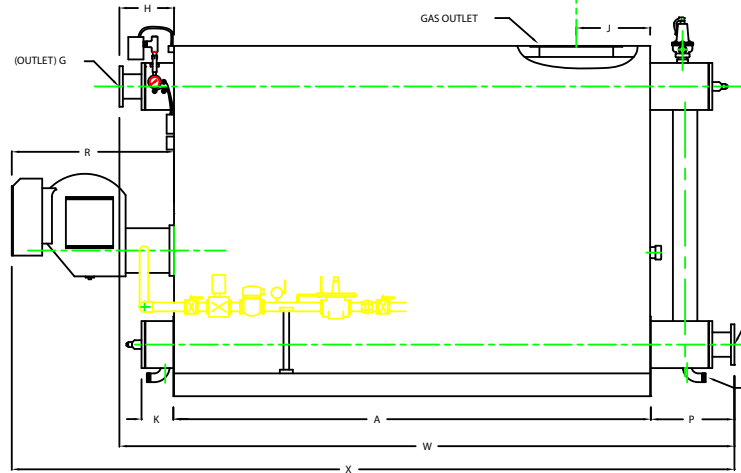


PLAN

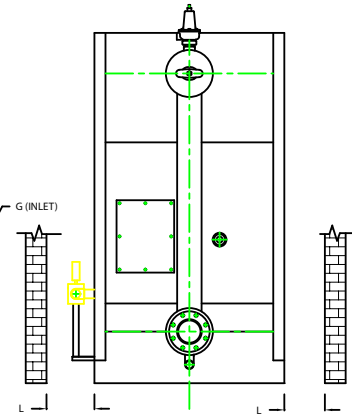
CHIMNEY FLANGE DIMS:
 O.D. = 25"
 I.D. = 20-1/4"
 B.C.D = 22-1/2"
 NO. OF HOLES = 8
 HOLE DIAMETER = 0.53"



FRONT VIEW



SIDE VIEW



REAR VIEW

	BOILER MODEL - ZF900W	INCHES	METRIC
A	LENGTH OF BASE	129 1/2	3289
A1	LENGTH OF SUPPORT FROM BASE	-	-
B	HEIGHT	95	2413
C	WIDTH OF BASE	51 1/2	1308
D	CTR. LOWER DRUM TO CTR. UPPER DRUM	70	1778
E	CENTER OF LOWER DRUM TO BOTTOM	14	356
F	CENTER OF BURNER OPENING TO BOTTOM	39 1/2	1003
G	INLET / OUTLET FLANGE, CLASS 150	6	152
H	NOZZLE CLEARANCE FROM TOP, FRONT	14 1/4	362
J	CENTER OF FLUE GAS OUTLET TO REAR	20	508
K	DRUM CLEARANCE FROM BASE, FRONT	8 5/8	219
L	TUBE REMOVAL CLEARANCE FROM BASE	34	864
M	UPPER DRUM, OD, NPS	12 3/4	324
N	LOWER DRUM, OD, NPS	12 3/4	324
O	FLUE GAS OUTLET ID	20	508
P	NOZZLE CLEARANCE FROM BASE, REAR	22 5/8	575
Q	BLOWDOWN, NPT	2	51
R	BURNER DIMENSION	44	1118
W	OVERALL BOILER LENGTH	166 3/8	4226
X	OVERALL BOILER LENGTH WITH BURNER	196 1/8	4982

NOTE: "X" DIMENSION MAY VARY BASED ON BURNER

NOTE: DIMENSIONS SUBJECT TO CHANGE WITHOUT NOTICE
 CONSULT FACTORY FOR CERTIFIED DIMENSIONS.

	UNILUX ADVANCED MFG., LLC. 30 COMMERCE PARK DRIVE NISKAYUNA, NY 12309 Ph: (518) 344-7490 Fax: (518) 344-7495		
	<small>THIS DRAWING APPLICABLE TO CONVENTIONAL, PREHEATED STEAM, AND HEARTH FIRE APPLICATIONS. DIMENSIONS OF PATENTS ARE PROVIDED BY UNILUX BOILER CO. INC.</small>		
PROJECT:	-		
LOCATION:	-		
Model Sizes:	ZF 900W		
BURNER:	-		
ELECTRIC:	-		
SUPPLY PSI:	-		
Drawn By:	RIZ RACAIZA	Date:	05AUG09
Checked By:	DAVID RAMBSON	Date:	05AUG09
Drawing No.:	08000000	Scale:	NTS
File No.:	J8000000	REV.:	0