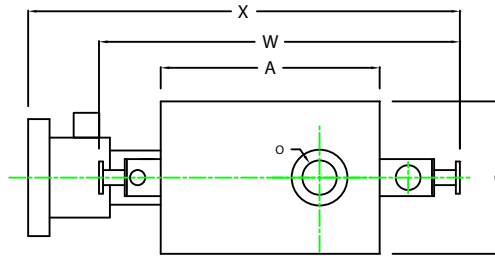
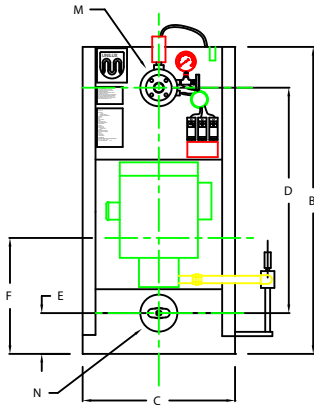


ZF0100W

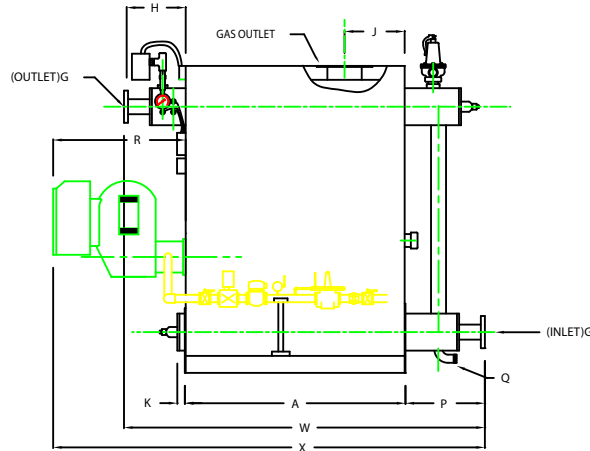


PLAN

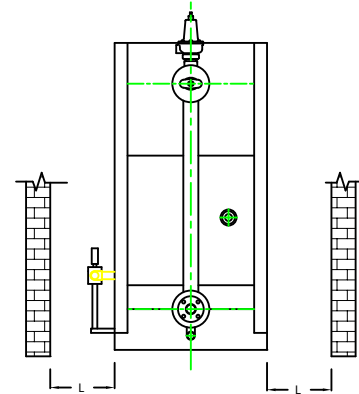
CHIMNEY FLANGE DIMS:
 O.D. = 13"
 I.D. = 8-1/4"
 B.C.D = 10-1/2"
 NO. OF HOLES = 6
 HOLE DIAMETER = 0.53"



FRONT VIEW



SIDE VIEW



REAR VIEW

	BOILER MODEL - ZF100W	INCHES	METRIC
A	LENGTH OF BASE	51	1295
A1	LENGTH OF SUPPORT FROM BASE	-	-
B	HEIGHT	71 1/2	1816
C	WIDTH OF BASE	35 1/2	902
D	CTR. LOWER DRUM TO CTR. UPPER DRUM	52 1/2	1334
E	CENTER OF LOWER DRUM TO BOTTOM	9 1/2	242
F	CENTER OF BURNER OPENING TO BOTTOM	27	686
G	INLET / OUTLET FLANGE, CLASS 150	2 1/2	64
H	NOZZLE CLEARANCE FROM TOP FRONT	14 1/4	362
J	CENTER OF FLUE GAS OUTLET TO REAR	14	356
K	DRUM CLEARANCE FROM BASE, FRONT	1 3/4	45
L	TUBE REMOVAL CLEARANCE FROM BASE	18	457
M	UPPER DRUM, OD, NPS	8 5/8	219
N	LOWER DRUM, OD, NPS	8 5/8	219
O	FLUE GAS OUTLET, ID	8	203
P	NOZZLE CLEARANCE FROM BASE, REAR	19 1/8	486
Q	BLOWDOWN, NPT	1 1/2	38
R	BURNER DIMENSION	31 1/8	791
W	OVERALL BOILER LENGTH	84 3/8	2143
X	OVERALL BOILER LENGTH WITH BURNER	101 1/4	2572

NOTE: DIMENSIONS SUBJECT TO CHANGE WITHOUT NOTICE
 CONSULT FACTORY FOR CERTIFIED DIMENSIONS.

NOTE: "X" DIMENSION MAY VARY BASED ON BURNER

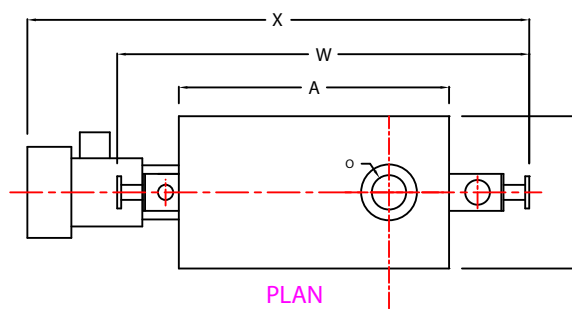
UNILUX ADVANCED MFG., LLC
 30 COMMERCE PARK DRIVE
 NISKAYUNA, NY 12309
 Ph: (518) 344-7490 Fax: (518) 344-7495

THIS DRAWING PROVIDES A CONFIDENTIAL, PROPRIETARY DESIGN. ALL RIGHTS FOR REPRODUCTION, MANUFACTURING OR PATENTS ARE RESERVED BY UNILUX BOILER CORP.

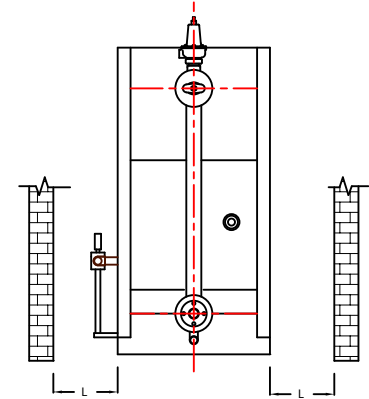
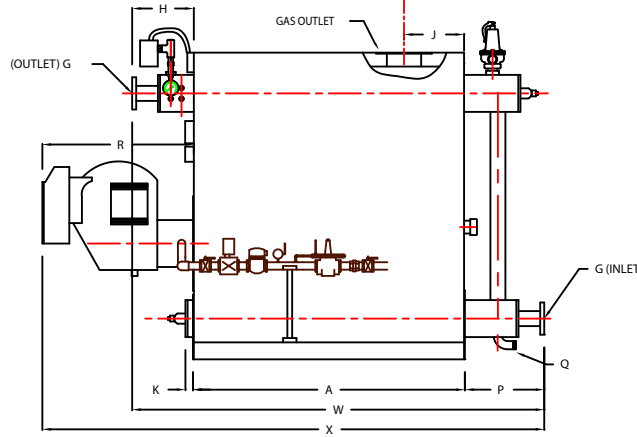
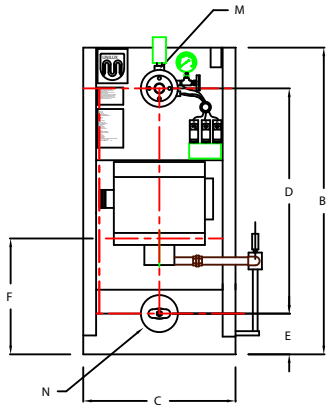
PROJECT:	-
LOCATION:	-
Model Sizes	ZF 100W
BURNER	-
ELECTRIC	-
SUPPLY PSI	-
Drawn By:	RIZ RACAZA
Checked By:	DAVID RAMSON
Drawing No.	QB000000
File No.:	JB000000
Date:	05AUG09
Date:	05AUG09
Scale:	NTS
REV:	0

REVISIONS	DATE	BY	Rev No.:

ZF0150W



CHIMNEY FLANGE DIMS:
 O.D. = 13"
 I.D. = 8-1/4"
 B.C.D = 10-1/2"
 NO. OF HOLES = 6
 HOLE DIAMETER = 0.53"



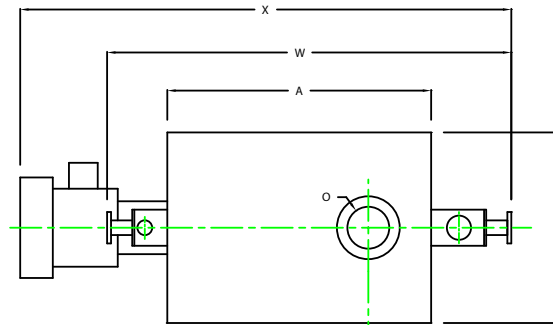
	BOILER MODEL - ZF150W	INCHES	METRIC
A	LENGTH OF BASE	63	1600
A1	LENGTH OF SUPPORT FROM BASE	-	-
B	HEIGHT	71 1/2	1816
C	WIDTH OF BASE	35 1/2	902
D	CTR. LOWER DRUM TO CTR. UPPER DRUM	52 1/2	1334
E	CENTER OF LOWER DRUM TO BOTTOM	9 1/2	242
F	CENTER OF BURNER OPENING TO BOTTOM	27	686
G	INLET / OUTLET FLANGE, CLASS 150	2 1/2	64
H	NOZZLE CLEARANCE FROM TOP, FRONT	14 1/4	362
J	CENTER OF FLUE GAS OUTLET TO REAR	14	356
K	DRUM CLEARANCE FROM BASE, FRONT	1 3/4	44
L	TUBE REMOVAL CLEARANCE FROM BASE	18	457
M	UPPER DRUM, OD, NPS	8 5/8	219
N	LOWER DRUM, OD, NPS	8 5/8	219
O	FLUE GAS OUTLET, ID	8	203
P	NOZZLE CLEARANCE FROM BASE, REAR	19 1/8	486
Q	BLOWDOWN, NPT	1 1/2	38
R	BURNER DIMENSION	35 1/8	892
W	OVERALL BOILER LENGTH	96 3/8	2448
X	OVERALL BOILER LENGTH WITH BURNER	117 1/4	2978

NOTE: DIMENSIONS SUBJECT TO CHANGE WITHOUT NOTICE
 CONSULT FACTORY FOR CERTIFIED DIMENSIONS.

NOTE: "X" DIMENSION MAY VARY BASED ON BURNER

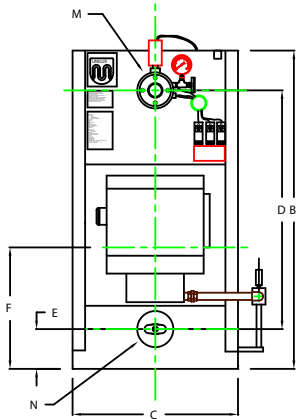
UNILUX ADVANCED MFG., LLC 30 COMMERCE PARK DRIVE NISKAYUNA, NY 12309 Ph: (518) 344-7490 Fax: (518) 344-7495	
THIS DRAWING EXPRESSLY A CONFIDENTIAL PROPRIETARY DESIGN. ALL RIGHTS FOR REPRODUCTION, MANUFACTURING OR PATENTS ARE RESERVED BY UNILUX BOILER CORP.	
PROJECT:	-
LOCATION:	-
Model Sizes	ZF 150W
BURNER	-
ELECTRIC	-
SUPPLY PSI	-
Drawn By:	RIZ RACAZA
Date:	05AUG09
Checked By:	DAVID RAMSON
Date:	05AUG09
Drawing No.	QB000000
Scale:	NTS
File No.:	JB000000
REV.:	0

ZF0200W

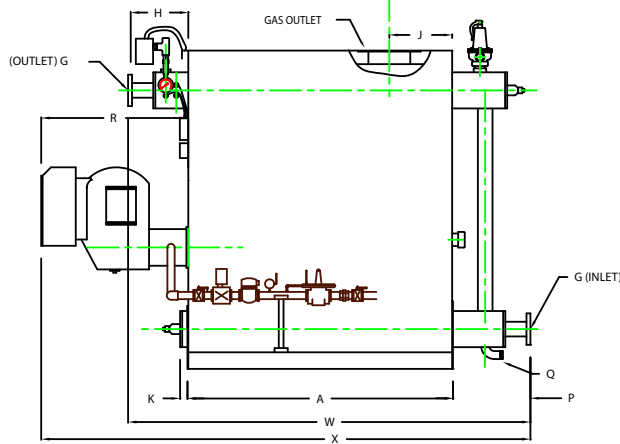


CHIMNEY FLANGE DIMS:
 O.D. = 15"
 I.D. = 10-1/4"
 B.C.D = 12-1/2"
 NO. OF HOLES = 6
 HOLE DIAMETER = 0.53"

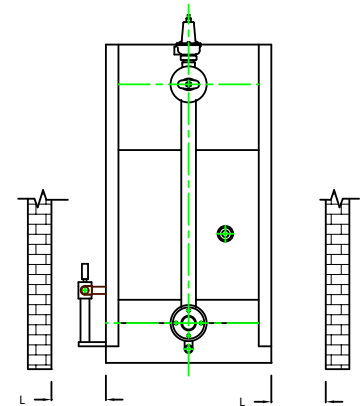
PLAN



FRONT VIEW



SIDE VIEW



REAR VIEW

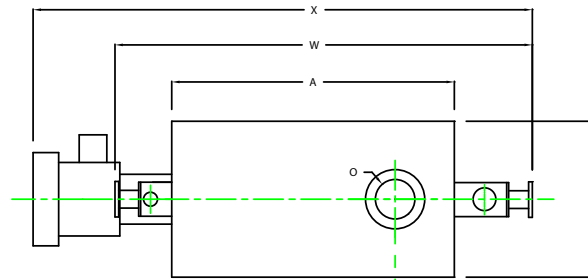
	BOILER MODEL - ZF200W	INCHES	METRIC
A	LENGTH OF BASE	63	1600
A1	LENGTH OF SUPPORT FROM BASE	-	-
B	HEIGHT	76	1930
C	WIDTH OF BASE	39 1/2	1003
D	CTR. LOWER DRUM TO CTR. UPPER DRUM	57	1448
E	CENTER OF LOWER DRUM TO BOTTOM	9 1/2	241
F	CENTER OF BURNER OPENING TO BOTTOM	29	737
G	INLET / OUTLET FLANGE, CLASS 150	3	76
H	NOZZLE CLEARANCE FROM TOP, FRONT	14 1/4	362
J	CENTER OF FLUE GAS OUTLET TO REAR	15	381
K	DRUM CLEARANCE FROM BASE, FRONT	1 3/4	44
L	TUBE REMOVAL CLEARANCE FROM BASE	22	559
M	UPPER DRUM, OD, NPS	8 5/8	219
N	LOWER DRUM, OD, NPS	8 5/8	219
O	FLUE GAS OUTLET, ID	10	254
P	NOZZLE CLEARANCE FROM BASE, REAR	19 1/8	486
Q	BLOWDOWN, NPT	1 1/2	38
R	BURNER DIMENSION	35 1/8	892
W	OVERALL BOILER LENGTH	96 3/8	2448
X	OVERALL BOILER LENGTH WITH BURNER	117 1/4	2978

NOTE: DIMENSIONS SUBJECT TO CHANGE WITHOUT NOTICE
 CONSULT FACTORY FOR CERTIFIED DIMENSIONS.

NOTE: "X" DIMENSION MAY VARY BASED ON BURNER

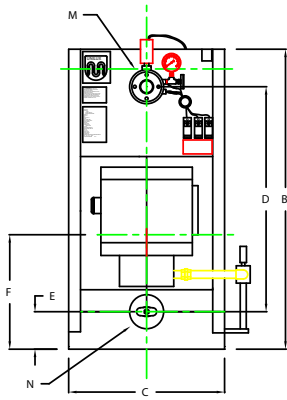
	UNILUX ADVANCED MFG, LLC		
	30 COMMERCE PARK DRIVE NISKAYUNA, NY 12039 Ph: (518) 344-7490 Fax: (518) 344-7495		
<small>THIS DRAWING PROCEDURE IS A CONFIDENTIAL, PROPRIETARY DESIGN. ALL RIGHTS FOR REPRODUCTION, MANUFACTURING OR OTHERS ARE RESERVED BY UNILUX BOILER CORP.</small>			
PROJECT:	-		
LOCATION:	-		
Model Sizes:	ZF 200W		
BURNER:	-		
ELECTRIC:	-		
SUPPLY PSI:	-		
Drawn By:	RIZ RACAZA	Date:	05AUG09
Checked By:	DAVID RAMSON	Date:	05AUG09
Drawing No.:	QB00000	Scale:	NTS
File No.:	JB00000	REV:	0

ZF0250W

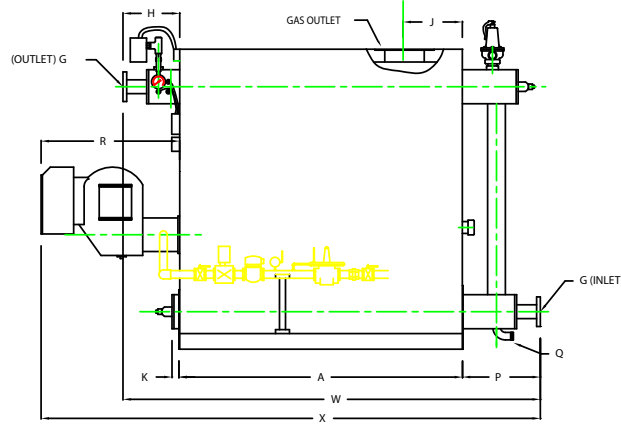


PLAN

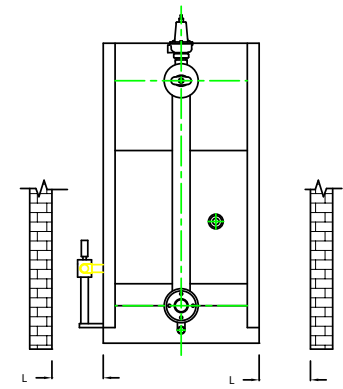
CHIMNEY FLANGE DIMS:
 O.D. = 15"
 I.D. = 10-1/4"
 B.C.D = 12-1/2"
 NO. OF HOLES = 6
 HOLE DIAMETER = 0.53"



FRONT VIEW



SIDE VIEW



REAR VIEW

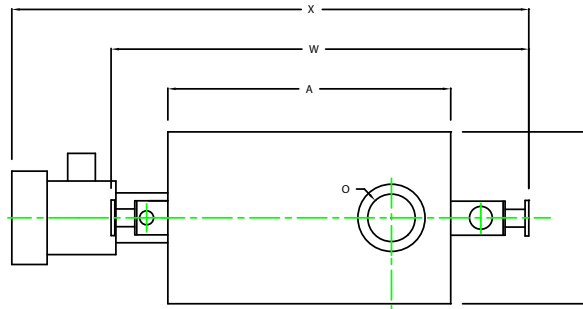
BOILER MODEL - ZF250W		INCHES	METRIC
A	LENGTH OF BASE	.72	1829
A1	LENGTH OF SUPPORT FROM BASE	-	-
B	HEIGHT	.76	1930
C	WIDTH OF BASE	39 1/2	1003
D	CTR. LOWER DRUM TO CTR. UPPER DRUM	.57	1448
E	CENTER OF LOWER DRUM TO BOTTOM	9 1/2	241
F	CENTER OF BURNER OPENING TO BOTTOM	.29	737
G	INLET / OUTLET FLANGE, CLASS 150	.3	76
H	NOZZLE CLEARANCE FROM TOP, FRONT	14 1/4	362
J	CENTER OF FLUE GAS OUTLET TO REAR	.15	381
K	DRUM CLEARANCE FROM BASE, FRONT	1 3/4	44
L	TUBE REMOVAL CLEARANCE FROM BASE	.22	559
M	UPPER DRUM, OD, NPS	8 5/8	219
N	LOWER DRUM, OD, NPS	8 5/8	219
O	FLUE GAS OUTLET, ID	10	254
P	NOZZLE CLEARANCE FROM BASE, REAR	20 1/8	511
Q	BLOWDOWN, NPT	1 1/2	38
R	BURNER DIMENSION	35 1/8	892
W	OVERALL BOILER LENGTH	106 3/8	2702
X	OVERALL BOILER LENGTH WITH BURNER	127 1/4	3232

NOTE: "X" DIMENSION MAY VARY BASED ON BURNER

NOTE: DIMENSIONS SUBJECT TO CHANGE WITHOUT NOTICE
 CONSULT FACTORY FOR CERTIFIED DIMENSIONS.

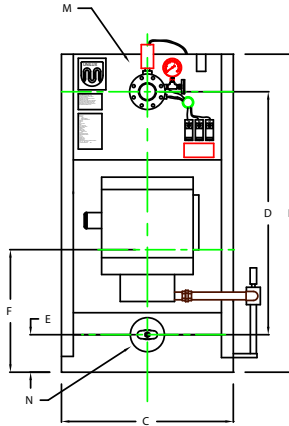
UNILUX ADVANCED MFG., LLC	
30 COMMERCE PARK DRIVE NISKAYUNA, NY 12099 Ph: (518) 344-7490 Fax: (518) 344-7495	
<small>THIS DRAWING PRESENTS A CONFIDENTIAL, PROPRIETARY DESIGN. ALL RIGHTS FOR REPRODUCTION, MANUFACTURING OR PATENTS ARE RESERVED BY UNILUX BOILER CORP.</small>	
PROJECT:	-
LOCATION:	-
Model Sizes:	ZF 250W
BURNER:	-
ELECTRIC:	-
SUPPLY PSI:	-
Drawn By:	RIZ RACAZA
Date:	05AUG09
Checked By:	DAVID RAMSON
Date:	05AUG09
Drawing No.:	QB000000
Scale:	NTS
File No.:	JB000000
REV:	0

ZF0300W

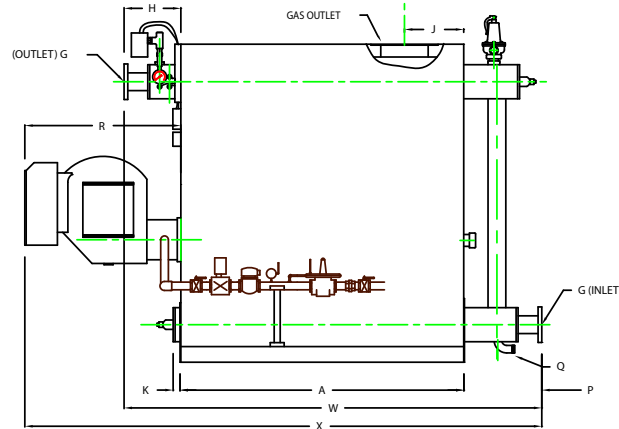


PLAN

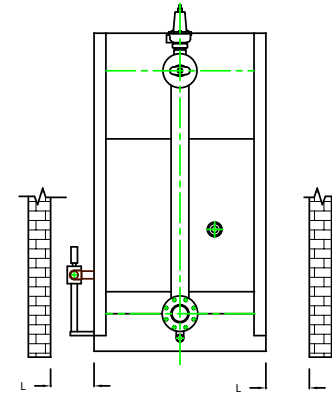
CHIMNEY FLANGE DIMS:
 O.D. = 17"
 I.D. = 12-1/4"
 B.C.D = 14-1/2"
 NO. OF HOLES = 8
 HOLE DIAMETER = 0.53"



FRONT VIEW



SIDE VIEW



REAR VIEW

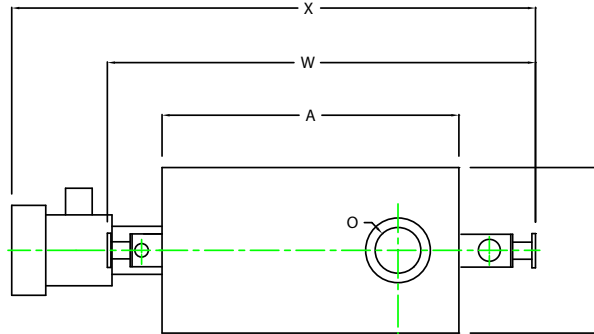
	BOILER MODEL - ZF300W	INCHES	METRIC
A	LENGTH OF BASE	72	1829
A1	LENGTH OF SUPPORT FROM BASE	-	-
B	HEIGHT	80 1/2	2045
C	WIDTH OF BASE	43 1/2	1105
D	CTR. LOWER DRUM TO CTR. UPPER DRUM	61 1/2	1562
E	CENTER OF LOWER DRUM TO BOTTOM	9 1/2	241
F	CENTER OF BURNER OPENING TO BOTTOM	31	787
G	INLET / OUTLET FLANGE, CLASS 150	4	102
H	NOZZLE CLEARANCE FROM TOP FRONT	14 1/4	362
J	CENTER OF FLUE GAS OUTLET TO REAR	16	406
K	DRUM CLEARANCE FROM BASE, FRONT	1 3/4	44
L	TUBE REMOVAL CLEARANCE FROM BASE	26	660
M	UPPER DRUM, OD, NPS	8 5/8	219
N	LOWER DRUM, OD, NPS	8 5/8	219
O	FLUE GAS OUTLET, ID	12	305
P	NOZZLE CLEARANCE FROM BASE, REAR	20 1/8	511
Q	BLOWDOWN, NPT	1 1/2	38
R	BURNER DIMENSION	39 1/2	1003
W	OVERALL BOILER LENGTH	106 3/8	2702
X	OVERALL BOILER LENGTH WITH BURNER	131 5/8	3343

NOTE: "X" DIMENSION MAY VARY BASED ON BURNER

NOTE: DIMENSIONS SUBJECT TO CHANGE WITHOUT NOTICE
 CONSULT FACTORY FOR CERTIFIED DIMENSIONS.

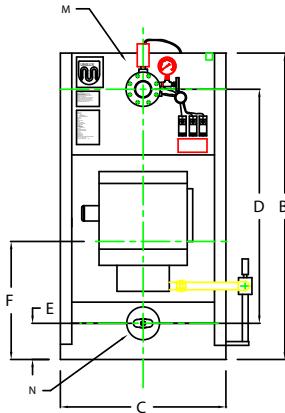
UNILUX ADVANCED MFG., LLC	
30 COMMERCE PARK DRIVE NISKAYUNA, NY 12309 Ph: (518) 344-7490 Fax: (518) 344-7495	
<small>THIS DRAWING PROVIDES A CONFIDENTIAL PROPRIETARY DESIGN. ALL RIGHTS FOR REPRODUCTION, MANUFACTURING OR PATENTS ARE RESERVED BY UNILUX BOILER CORP.</small>	
PROJECT:	-
LOCATION:	-
Model Sizes:	ZF 300W
BURNER:	-
ELECTRIC:	-
SUPPLY PSI:	-
Drawn By:	RIZ RACAZA
Checked By:	DAVID RAMSON
File No.:	JB00000
Date:	05AUG09
Date:	05AUG09
Scale:	NTS
REV:	0

ZF0350W

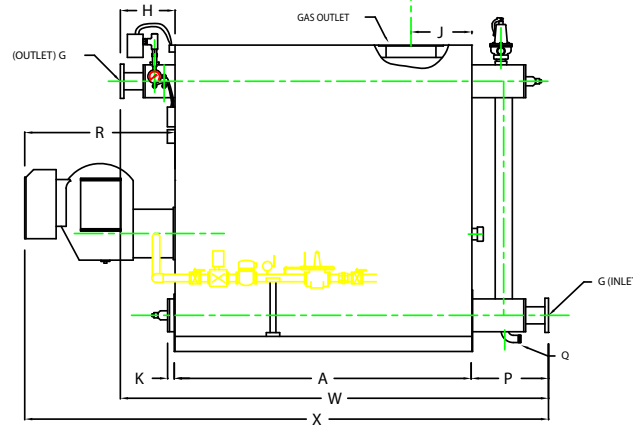


PLAN

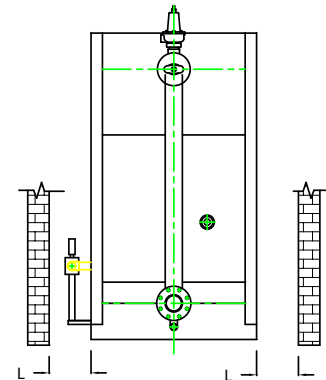
CHIMNEY FLANGE DIMS:
 O.D. = 17"
 I.D. = 12-1/4"
 B.C.D = 14-1/2"
 NO. OF HOLES = 8
 HOLE DIAMETER = 0.53"



FRONT VIEW



SIDE VIEW



REAR VIEW

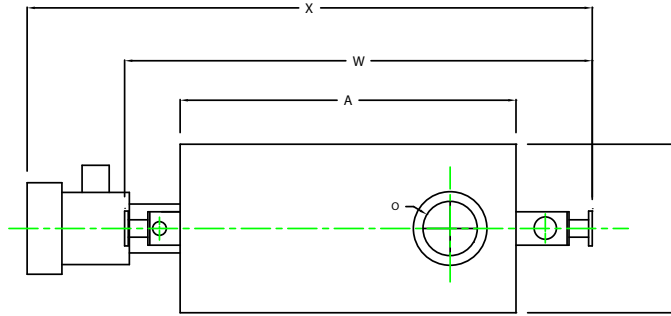
BOILER MODEL - ZF350W		INCHES	METRIC
A	LENGTH OF BASE	78	1981
A1	LENGTH OF SUPPORT FROM BASE	-	-
B	HEIGHT	80 1/2	2044
C	WIDTH OF BASE	43 1/2	1105
D	CTR. LOWER DRUM TO CTR. UPPER DRUM	61 1/2	1562
E	CENTER OF LOWER DRUM TO BOTTOM	9 1/2	241
F	CENTER OF BURNER OPENING TO BOTTOM	31	787
G	INLET / OUTLET FLANGE, CLASS 150	4	102
H	NOZZLE CLEARANCE FROM TOP, FRONT	14 1/4	362
J	CENTER OF FLUE GAS OUTLET TO REAR	16	406
K	DRUM CLEARANCE FROM BASE, FRONT	1 3/4	44
L	TUBE REMOVAL CLEARANCE FROM BASE	26	660
M	UPPER DRUM, OD, NPS	8 5/8	219
N	LOWER DRUM, OD, NPS	8 5/8	219
O	FLUE GAS OUTLET, ID	12	305
P	NOZZLE CLEARANCE FROM BASE, REAR	20 1/8	511
Q	BLOWDOWN, NPT	1 1/2	38
R	BURNER DIMENSION	39 1/2	1003
W	OVERALL BOILER LENGTH	112 3/8	2854
X	OVERALL BOILER LENGTH WITH BURNER	137 5/8	3496

NOTE: "X" DIMENSION MAY VARY BASED ON BURNER

NOTE: DIMENSIONS SUBJECT TO CHANGE WITHOUT NOTICE
 CONSULT FACTORY FOR CERTIFIED DIMENSIONS.

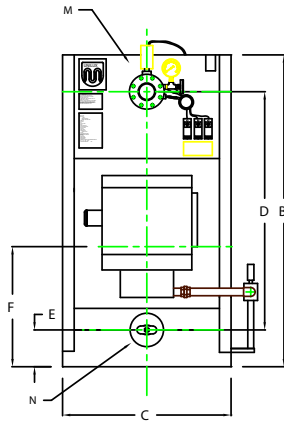
	UNILUX ADVANCED MFG., LLC 30 COMMERCE PARK DRIVE NISKAYUNA, NY 12309 Ph: (518) 344-7490 Fax: (518) 344-7495		
	<small>THIS DRAWING EXCEPT AS A CONFIDENTIAL, PROPRIETARY DESIGN, ALL RIGHTS FOR REPRODUCTION, TRANSMISSION OR PASTORAL ARE RESERVED BY UNILUX BOILER CORP.</small>		
PROJECT:			
LOCATION:			
Model Sizes:	ZF 350W		
BURNER:			
ELECTRIC SUPPLY PSI:			
Drawn By:	RIZ RACAIZA	Date:	05AUG09
Checked By:	DAVID RAMSON	Date:	05AUG09
Drawing No.:	QB000000	Scale:	NTS
File No.:	JB000000	REV:	0

ZF0400W

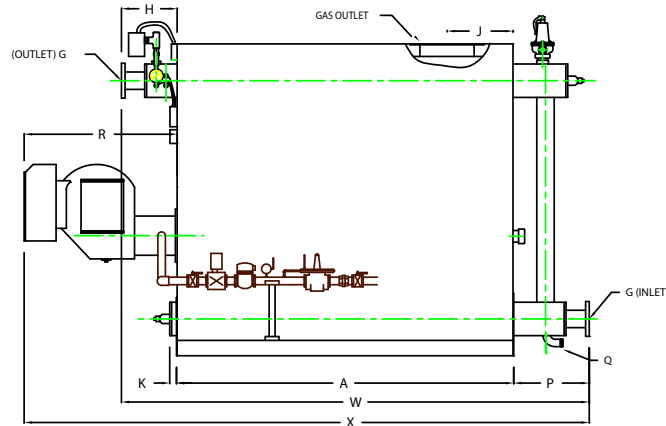


PLAN

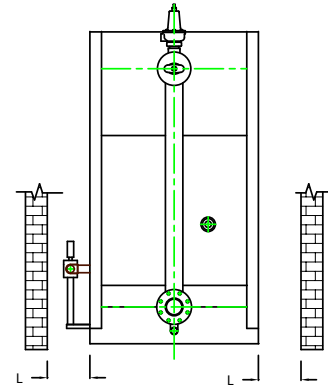
CHIMNEY FLANGE DIMS:
 O.D. = 19"
 I.D. = 14-1/4"
 B.C.D = 16-1/2"
 NO. OF HOLES = 8
 HOLE DIAMETER = 0.53"



FRONT VIEW



SIDE VIEW



REAR VIEW

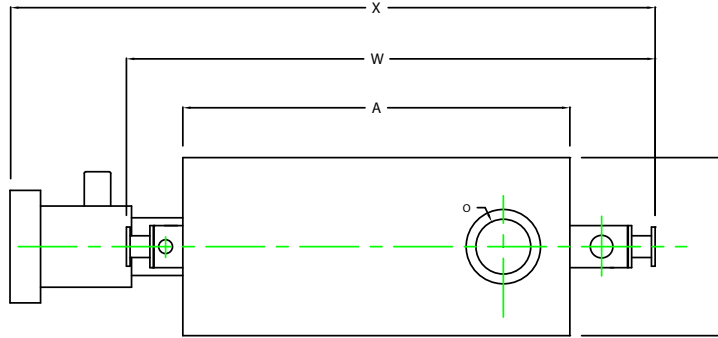
	BOILER MODEL - ZF400W	INCHES	METRIC
A	LENGTH OF BASE	87	2210
A1	LENGTH OF SUPPORT FROM BASE	-	-
B	HEIGHT	80 1/2	2045
C	WIDTH OF BASE	43 1/2	1105
D	CTR. LOWER DRUM TO CTR. UPPER DRUM	61 1/2	1562
E	CENTER OF LOWER DRUM TO BOTTOM	9 1/2	241
F	CENTER OF BURNER OPENING TO BOTTOM	31	787
G	INLET / OUTLET FLANGE, CLASS 150	4	102
H	NOZZLE CLEARANCE FROM TOP, FRONT	14 1/4	362
J	CENTER OF FLUE GAS OUTLET TO REAR	17	432
K	DRUM CLEARANCE FROM BASE, FRONT	1 3/4	44
L	TUBE REMOVAL CLEARANCE FROM BASE	26	660
M	UPPER DRUM, OD, NPS	8 5/8	219
N	LOWER DRUM, OD, NPS	8 5/8	219
O	FLUE GAS OUTLET, ID	14	356
P	NOZZLE CLEARANCE FROM BASE, REAR	20 1/8	511
Q	BLOWDOWN, NPT	1 1/2	38
R	BURNER DIMENSION	39 1/2	1003
W	OVERALL BOILER LENGTH	121 3/8	3083
X	OVERALL BOILER LENGTH WITH BURNER	146 5/8	3724

NOTE: "X" DIMENSION MAY VARY BASED ON BURNER

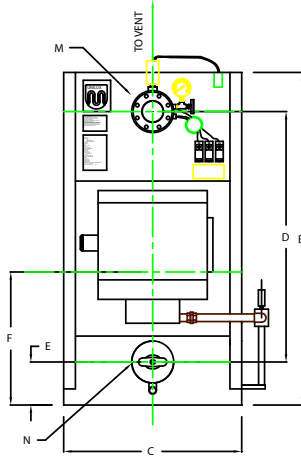
NOTE: DIMENSIONS SUBJECT TO CHANGE WITHOUT NOTICE
 CONSULT FACTORY FOR CERTIFIED DIMENSIONS.

	UNILUX ADVANCED MFG., LLC 30 COMMERCE PARK DRIVE NEWKYLINA, NY 12209 Ph: (518) 344-7490 Fax: (518) 344-7495		
	<small>THIS DRAWING PRESENTS A CONFIDENTIAL PROPRIETARY DESIGN. ALL RIGHTS FOR REPRODUCTION, MANUFACTURING OR PATENTS ARE RESERVED BY UNILUX BOLLER CORP.</small>		
	PROJECT:	-	
	LOCATION:	-	
Model Sizes:	ZF 400W		
BURNER:	-		
ELECTRIC:	-		
SUPPLY PSI:	-		
Drawn By:	RIZ RACAZA	Date:	05AUG09
Checked By:	DAVID RAMSON	Date:	05AUG09
Drawing No.:	QB000000	Scale:	NTS
File No.:	JB000000	REV:	0

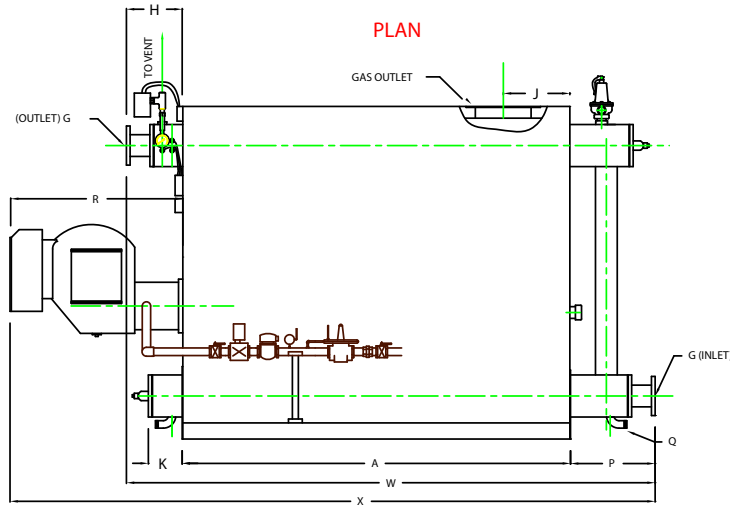
ZF0500W



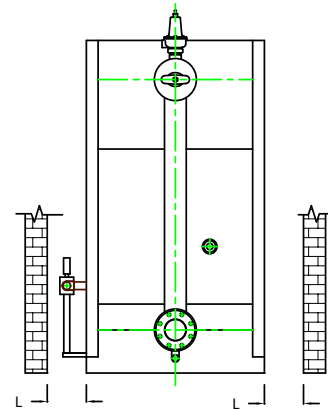
CHIMNEY FLANGE DIMS:
 O.D. = 19"
 I.D. = 14-1/4"
 B.C.D = 16-1/2"
 NO. OF HOLES = 8
 HOLE DIAMETER = 0.53"



FRONT VIEW



SIDE VIEW



REAR VIEW

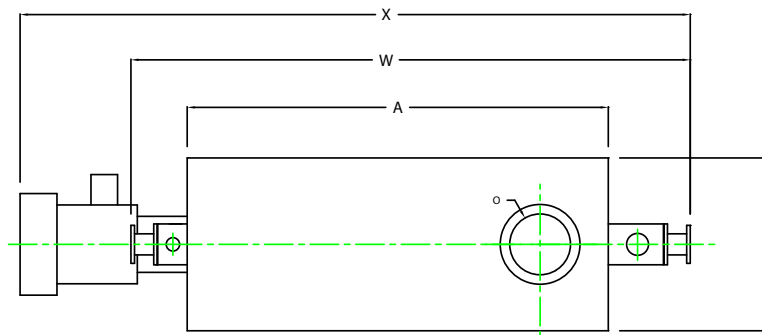
	BOILER MODEL - ZF500W	INCHES	METRIC
A	LENGTH OF BASE	99 1/4	2521
A1	LENGTH OF SUPPORT FROM BASE	-	-
B	HEIGHT	85	2159
C	WIDTH OF BASE	45 1/2	1156
D	CTR. LOWER DRUM TO CTR. UPPER DRUM	64	1626
E	CENTER OF LOWER DRUM TO BOTTOM	11	279
F	CENTER OF BURNER OPENING TO BOTTOM	34	864
G	INLET / OUTLET FLANGE, CLASS 150	5	127
H	NOZZLE CLEARANCE FROM TOP, FRONT	14 1/4	362
J	CENTER OF FLUE GAS OUTLET TO REAR	17	432
K	DRUM CLEARANCE FROM BASE, FRONT	8 5/8	219
L	TUBE REMOVAL CLEARANCE FROM BASE	28	711
M	UPPER DRUM, OD, NPS	10 3/4	273
N	LOWER DRUM, OD, NPS	10 3/4	273
O	FLUE GAS OUTLET, I.D.	14	356
P	NOZZLE CLEARANCE FROM BASE, REAR	21 5/8	549
Q	BLOWDOWN, NPT	1 1/2	38
R	BURNER DIMENSION	44	1118
W	OVERALL BOILER LENGTH	135 1/8	3432
X	OVERALL BOILER LENGTH WITH BURNER	164 7/8	4188

NOTE: "X" DIMENSION MAY VARY BASED ON BURNER

NOTE: DIMENSIONS SUBJECT TO CHANGE WITHOUT NOTICE
 CONSULT FACTORY FOR CERTIFIED DIMENSIONS.

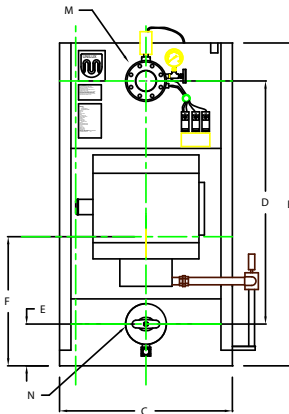
UNILUX ADVANCED MFG. LLC	
30 COMMERCE PARK DRIVE NISKAYUNA, NY 12309 Ph: (518) 344-7490 Fax: (518) 344-7495	
<small>THIS DRAWING REMAINS A CONFIDENTIAL, PROPRIETARY DESIGN. ALL RIGHTS FOR REPRODUCTION, MANUFACTURING OR PATENTS ARE RESERVED BY UNILUX BOILER CORP.</small>	
PROJECT:	-
LOCATION:	-
Model Sizes:	ZF 500W
BURNER:	-
ELECTRIC:	-
SUPPLY PSI:	-
Drawn By:	RIZ RACAZA
Checked By:	DAVID RAMSON
Drawing No.:	QB000000
File No.:	JB000000
Date:	05AUG09
Date:	05AUG09
Scale:	NTS
REV:	0

ZF0600W

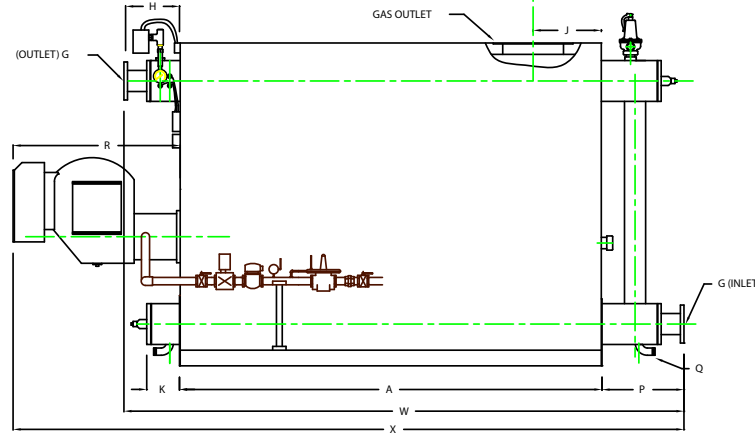


PLAN

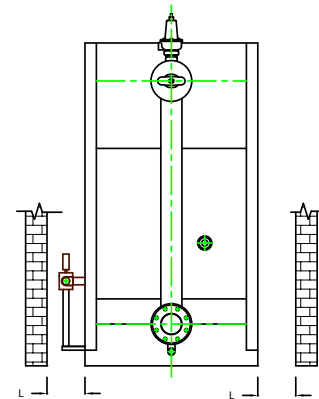
CHIMNEY FLANGE DIMS:
 O.D. = 21"
 I.D. = 16-1/4"
 B.C.D = 18-1/2"
 NO. OF HOLES = 8
 HOLE DIAMETER = 0.53"



FRONT VIEW



SIDE VIEW



REAR VIEW

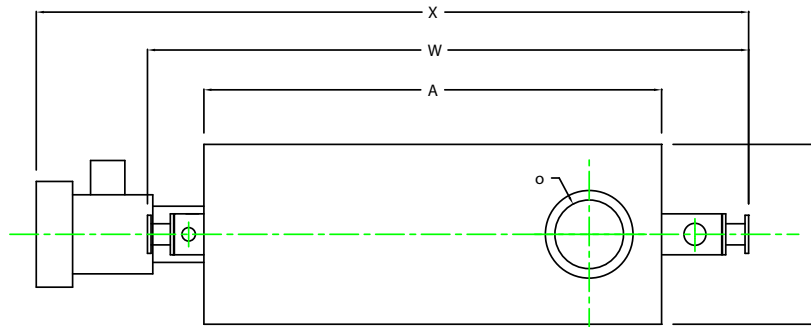
BOILER MODEL - ZF600W		INCHES	METRIC
A	LENGTH OF BASE	111 1/4	2826
A1	LENGTH OF SUPPORT FROM BASE		
B	HEIGHT	85	2159
C	WIDTH OF BASE	45 1/2	1156
D	CTR. LOWER DRUM TO CTR. UPPER DRUM	64	1626
E	CENTER OF LOWER DRUM TO BOTTOM	11	279
F	CENTER OF BURNER OPENING TO BOTTOM	34	864
G	INLET / OUTLET FLANGE, CLASS 150	5	127
H	NOZZLE CLEARANCE FROM TOP, FRONT	14 1/4	362
J	CENTER OF FLUE GAS OUTLET TO REAR	18	457
K	DRUM CLEARANCE FROM BASE, FRONT	8 5/8	219
L	TUBE REMOVAL CLEARANCE FROM BASE	28	711
M	UPPER DRUM, OD, NPS	10 3/4	273
N	LOWER DRUM, OD, NPS	10 3/4	273
O	FLUE GAS OUTLET, ID	16	406
P	NOZZLE CLEARANCE FROM BASE, REAR	21 5/8	549
Q	BLOWDOWN, NPT	1 1/2	38
R	BURNER DIMENSION	44	1118
W	OVERALL BOILER LENGTH	147 1/8	3737
X	OVERALL BOILER LENGTH WITH BURNER	176 7/8	4493

NOTE: DIMENSIONS SUBJECT TO CHANGE WITHOUT NOTICE
 CONSULT FACTORY FOR CERTIFIED DIMENSIONS.

NOTE: "X" DIMENSION MAY VARY BASED ON BURNER

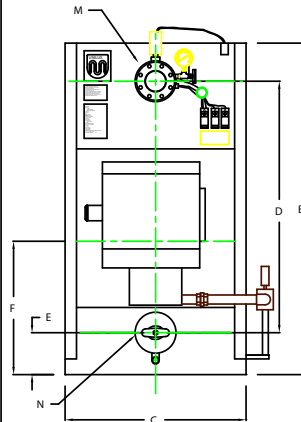
	UNILUX ADVANCED MFG., LLC 30 COMMERCE PARK DRIVE NISKAYUNA, NY 12099 Ph: (518) 344-7499 Fax: (518) 344-7495		
	<small>THIS DRAWING REMAINS A CONFIDENTIAL UNILUX PROPERTY. ALL RIGHTS FOR REPRODUCTION, MANUFACTURING OR PATENTS ARE RESERVED BY UNILUX UNILUX LOGO</small>		
PROJECT:			
LOCATION:			
Model Sizes:	ZF 600W		
BURNER:			
ELECTRIC:			
SUPPLY PSI:			
Drawn By:	RIZ RACAZA	Date:	05AUG09
Checked By:	DAVID RAMSON	Date:	05AUG09
Drawing No.:	QB000000	Scale:	NTS
File No.:	JB000000	REV:	0

ZF0700W

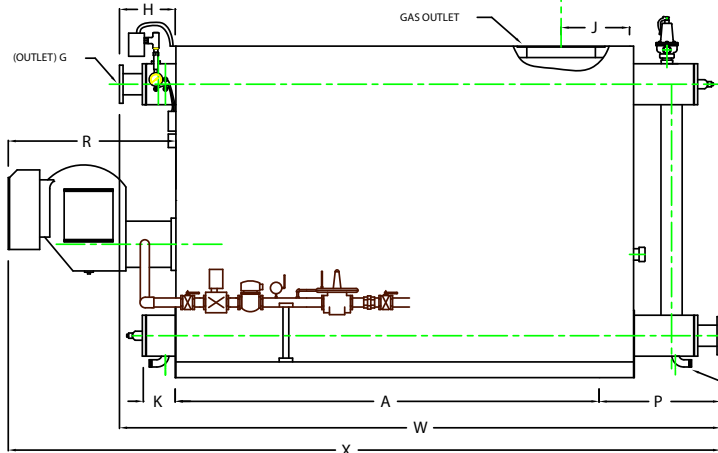


PLAN

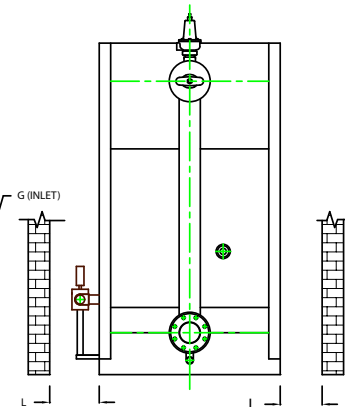
CHIMNEY FLANGE DIMS:
 O.D. = 23"
 I.D. = 18-1/4"
 B.C.D = 20-1/2"
 NO. OF HOLES = 8
 HOLE DIAMETER = 0.53"



FRONT VIEW



SIDE VIEW



REAR VIEW

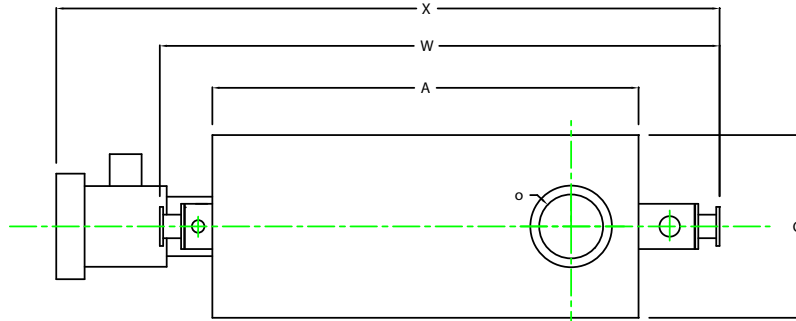
	BOILER MODEL - ZF700W	INCHES	METRIC
A	LENGTH OF BASE	120 1/2	3061
A1	LENGTH OF SUPPORT FROM BASE	-	-
B	HEIGHT	87	2210
C	WIDTH OF BASE	47 1/2	1207
D	CTR. LOWER DRUM TO CTR. UPPER DRUM	66	1676
E	CENTER OF LOWER DRUM TO BOTTOM	11	279
F	CENTER OF BURNER OPENING TO BOTTOM	35	889
G	INLET / OUTLET FLANGE, CLASS 150	5	127
H	NOZZLE CLEARANCE FROM TOP FRONT	14 1/4	362
J	CENTER OF FLUE GAS OUTLET TO REAR	19	483
K	DRUM CLEARANCE FROM BASE, FRONT	8 5/8	219
L	TUBE REMOVAL CLEARANCE FROM BASE	30	762
M	UPPER DRUM, OD, NPS	10 3/4	273
N	LOWER DRUM, OD, NPS	10 3/4	273
O	FLUE GAS OUTLET, ID	18	457
P	NOZZLE CLEARANCE FROM BASE, REAR	22 5/8	575
Q	BLOWDOWN, NPT	1 1/2	38
R	BURNER DIMENSION	44	1118
W	OVERALL BOILER LENGTH	157 3/8	3997
X	OVERALL BOILER LENGTH WITH BURNER	187 1/8	4753

NOTE: "X" DIMENSION MAY VARY BASED ON BURNER

NOTE: DIMENSIONS SUBJECT TO CHANGE WITHOUT NOTICE
 CONSULT FACTORY FOR CERTIFIED DIMENSIONS.

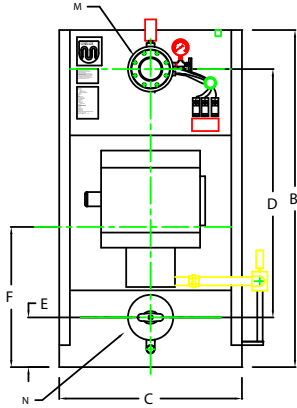
	UNILUX ADVANCED MFG., LLC 30 COMMERCE PARK DRIVE NISKAYUNA, NY 12309 Ph: (518) 344-7490 Fax: (518) 344-7495		
	<small>THIS DRAWING PREPARED A CONFIDENTIAL, PROPRIETARY DESIGN. ALL RIGHTS FOR REPRODUCTION, MANUFACTURING OR SERVICE ARE RESERVED BY UNILUX UNDER CODE.</small>		
PROJECT:			
LOCATION:			
Model Sizes:	ZF 700W		
BURNER:			
ELECTRIC:			
SUPPLY PS:			
Drawn By:	RIZ RACAIZA	Date:	05AUG09
Checked By:	DAVID RAMSON	Date:	05AUG09
Drawing No.:	QB000000	Scale:	NTS
File No.:	3B000000	REV:	0

ZF0800W



PLAN

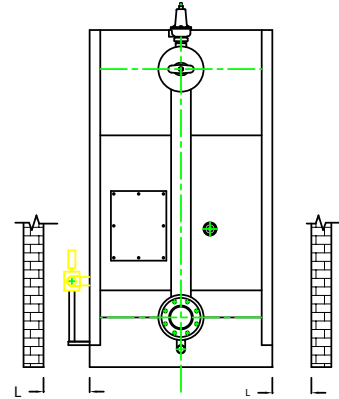
CHIMNEY FLANGE DIMS:
 O.D. = 23"
 I.D. = 18-1/4"
 B.C.D = 20-1/2"
 NO. OF HOLES = 8
 HOLE DIAMETER = 0.53"



FRONT VIEW



SIDE VIEW




REAR VIEW

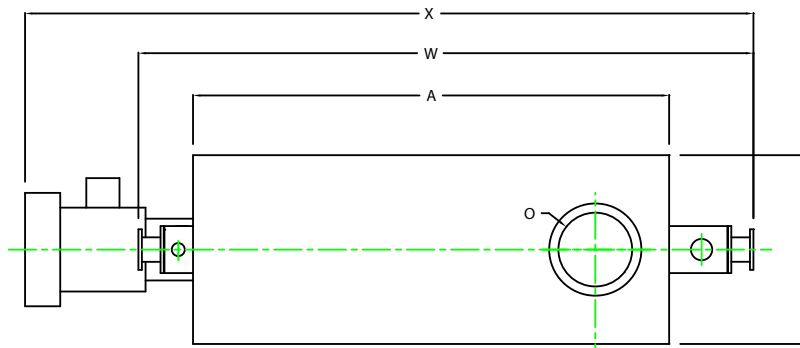
	INCHES	METRIC
BOILER MODEL - ZF800W		
A LENGTH OF BASE	120 1/2	3061
A1 LENGTH OF SUPPORT FROM BASE	-	-
B HEIGHT	95	2413
C WIDTH OF BASE	51 1/2	1308
D CTR. LOWER DRUM TO CTR. UPPER DRUM	70	1778
E CENTER OF LOWER DRUM TO BOTTOM	14	356
F CENTER OF BURNER OPENING TO BOTTOM	39 1/2	1003
G INLET / OUTLET FLANGE CLASS 150	6	152
H NOZZLE CLEARANCE FROM TOP FRONT	14 1/4	362
J CENTER OF FLUE GAS OUTLET TO REAR	19	483
K DRUM CLEARANCE FROM BASE FRONT	8 5/8	219
L TUBE REMOVAL CLEARANCE FROM BASE	34	864
M UPPER DRUM, OD, NPS	12 3/4	324
N LOWER DRUM, OD, NPS	12 3/4	324
O FLUE GAS OUTLET ID	18	457
P NOZZLE CLEARANCE FROM BASE, REAR	22 5/8	575
Q BLOWDOWN, MFT	2	51
R BURNER DIMENSION	44	1118
W OVERALL BOILER LENGTH	157 3/8	3997
X OVERALL BOILER LENGTH WITH BURNER	187 1/8	4753

NOTE: "X" DIMENSION MAY VARY BASED ON BURNER

NOTE: DIMENSIONS SUBJECT TO CHANGE WITHOUT NOTICE
 CONSULT FACTORY FOR CERTIFIED DIMENSIONS.

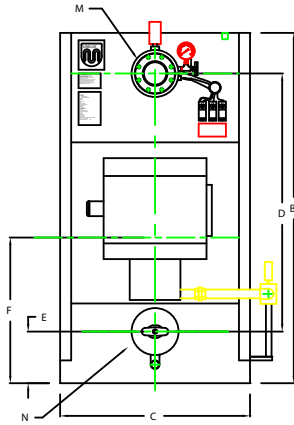
 UNILUX ADVANCED MFG., LLC 30 COMMERCE PARK DRIVE NISKAYUNA, NEW YORK, 12039 PH: (518) 344-7490 FAX: (518) 344-7495			
<small>THE FOLLOWING DIMENSIONS ARE APPROXIMATE. REPEAT THE MEASUREMENTS TO VERIFY DIMENSIONS. MANUFACTURING OR MATERIALS VARIATIONS ARE NOT TO BE CONSIDERED.</small>			
PROJECT:			
LOCATION:			
Model Size: ZF 800W			
BURNER			
ELECTRIC			
SUPPLY PSI			
Drawn By:	RIZ RAICAZA	Date:	05AUG09
Checked By:	DAVID RAMSON	Date:	05AUG09
Drawing No.:	QB000000	Scale:	INTS
File No.:	JB000000	REV:	0

ZF0900W

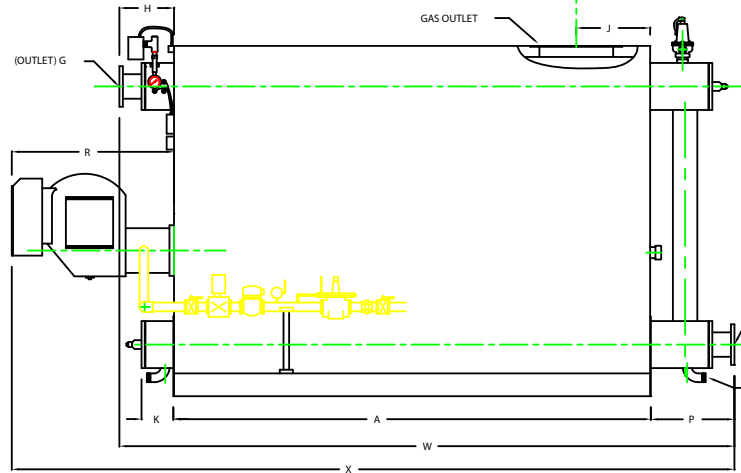


PLAN

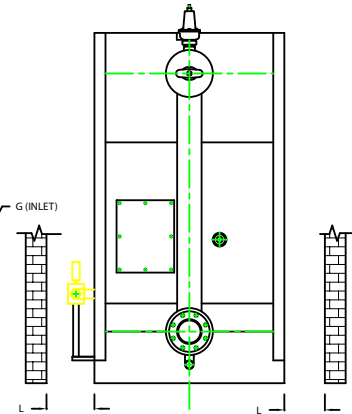
CHIMNEY FLANGE DIMS:
 O.D. = 25"
 I.D. = 20-1/4"
 B.C.D = 22-1/2"
 NO. OF HOLES = 8
 HOLE DIAMETER = 0.53"



FRONT VIEW



SIDE VIEW



REAR VIEW

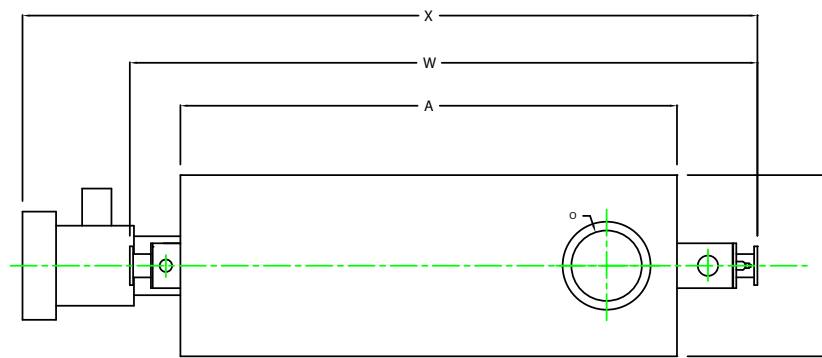
	BOILER MODEL - ZF900W	INCHES	METRIC
A	LENGTH OF BASE	129 1/2	3289
A1	LENGTH OF SUPPORT FROM BASE	-	-
B	HEIGHT	95	2413
C	WIDTH OF BASE	51 1/2	1308
D	CTR. LOWER DRUM TO CTR. UPPER DRUM	70	1778
E	CENTER OF LOWER DRUM TO BOTTOM	14	356
F	CENTER OF BURNER OPENING TO BOTTOM	39 1/2	1003
G	INLET / OUTLET FLANGE, CLASS 150	6	152
H	NOZZLE CLEARANCE FROM TOP, FRONT	14 1/4	362
J	CENTER OF FLUE GAS OUTLET TO REAR	20	508
K	DRUM CLEARANCE FROM BASE, FRONT	8 5/8	219
L	TUBE REMOVAL CLEARANCE FROM BASE	34	864
M	UPPER DRUM, OD, NPS	12 3/4	324
N	LOWER DRUM, OD, NPS	12 3/4	324
O	FLUE GAS OUTLET, ID	20	508
P	NOZZLE CLEARANCE FROM BASE, REAR	22 5/8	575
Q	BLOWDOWN, NPT	2	51
R	BURNER DIMENSION	44	1118
W	OVERALL BOILER LENGTH	166 3/8	4226
X	OVERALL BOILER LENGTH WITH BURNER	196 1/8	4982

NOTE: "X" DIMENSION MAY VARY BASED ON BURNER

NOTE: DIMENSIONS SUBJECT TO CHANGE WITHOUT NOTICE
 CONSULT FACTORY FOR CERTIFIED DIMENSIONS.

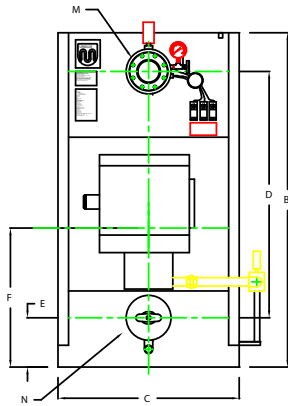
UNILUX ADVANCED MFG., LLC.			
30 COMMERCE PARK DRIVE NISKAYUNA, NY 12309 Ph: (518) 344-7490 Fax: (518) 344-7495			
<small>THIS DRAWING IS UNLESS OTHERWISE SPECIFIED TO BE IN ACCORDANCE WITH THE LATEST EDITIONS OF THE AMERICAN INSTITUTE OF MECHANICAL ENGINEERS (A.I.M.E.) STANDARDS AND PRACTICES AND PATENTS ARE HEREBY ACKNOWLEDGED BY UNILUX BOILER CO. INC.</small>			
PROJECT:	-	Date:	05AUG09
LOCATION:	-	Date:	05AUG09
Model Sizes:	ZF 900W	Scale:	NTS
BURNER:	-	REV:	0
ELECTRIC:	-		
SUPPLY PSI:	-		
Drawn By:	RIZ RACAIZA	Date:	05AUG09
Checked By:	DAVID RAMBSON	Date:	05AUG09
Drawing No.:	08000000	Scale:	NTS
File No.:	J8000000	REV:	0

ZF1000W

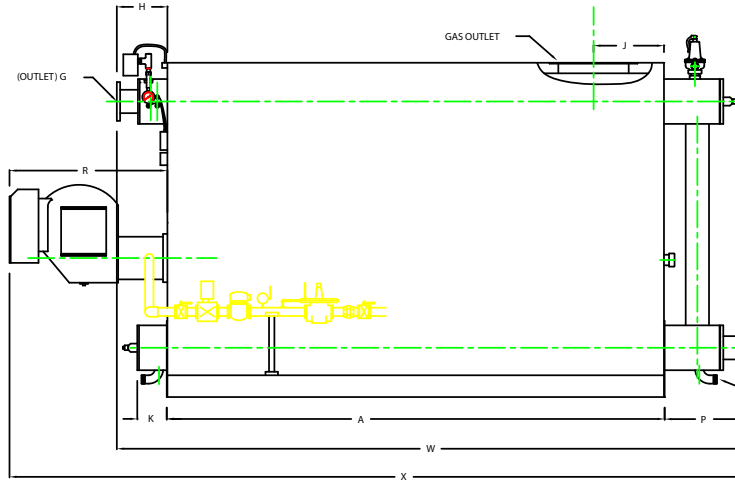


PLAN

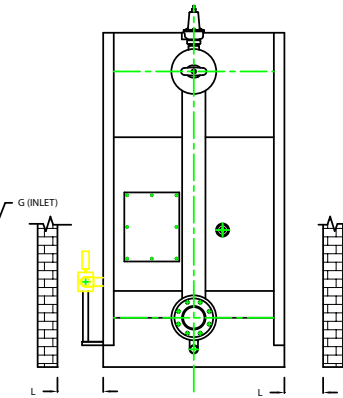
CHIMNEY FLANGE DIMS:
 O.D. = 25"
 I.D. = 20-1/4"
 B.C.D = 22-1/2"
 NO. OF HOLES = 8
 HOLE DIAMETER = 0.53"



FRONT VIEW



SIDE VIEW




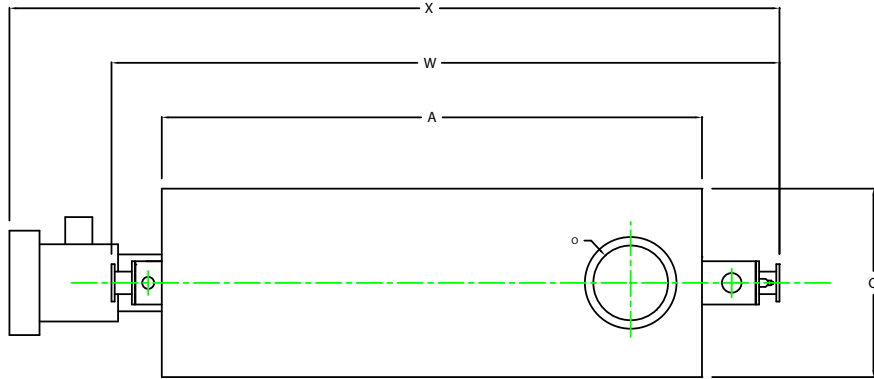
REAR VIEW

	INCHES	METRIC
BOILER MODEL - ZF1000W		
A	141 1/2	3594
A1	-	-
B	95	2413
C	51 1/2	1308
D	70	1778
E	14	356
F	39 1/2	1003
G	6	152
H	14 1/4	362
J	20	508
K	8 5/8	219
L	34	864
M	12 3/4	324
N	12 3/4	324
D	20	508
P	22 5/8	575
Q	2	51
R	44 7/8	1140
W	178 3/8	4531
X	209	5309

NOTE: "X" DIMENSION MAY VARY BASED ON BURNER

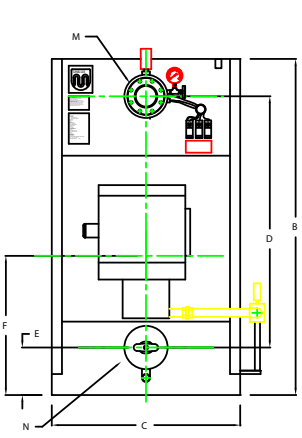
NOTE: DIMENSIONS SUBJECT TO CHANGE WITHOUT NOTICE
 CONSULT FACTORY FOR CERTIFIED DIMENSIONS.

 UNILUX ADVANCED MFG., LLC 30 COMMERCE PARK DRIVE NISKAYUNA, NY 12309 PH: (518) 344-7499 FAX: (518) 344-7495	PROJECT:	
	LOCATION:	
	Model Sizes	ZF 1000W
	BURNER	
	ELECTRIC	
	SUPPLY PSI	
Drawn By	RIZ RACAZA	Date: 05AUG09
Checked by	DAVID RAMSON	Date: 05AUG09
Drawing No.	08000000	Scale: NTS
File No.:	J8000000	REV: 0

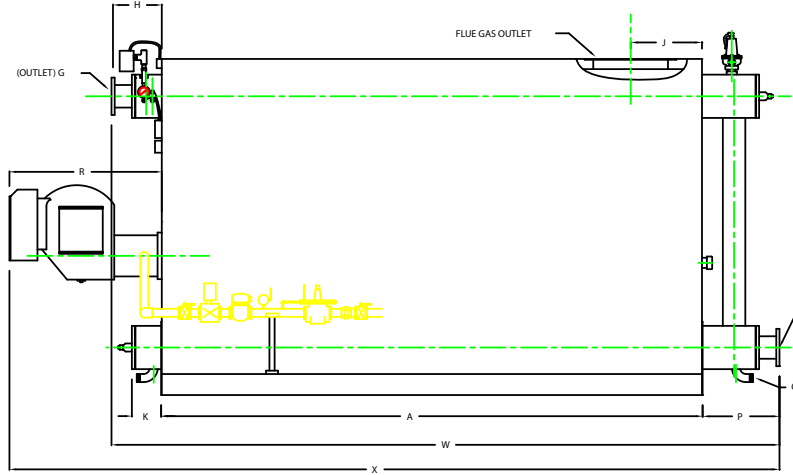


PLAN

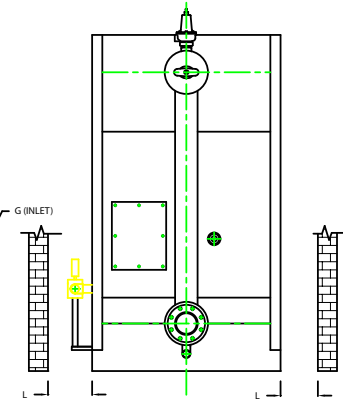
CHIMNEY FLANGE DIMS:
 O.D. = 27"
 I.D. = 22-1/4"
 B.C.D = 24-1/2"
 NO. OF HOLES = 8
 HOLE DIAMETER = 0.53"



FRONT VIEW



SIDE VIEW



REAR VIEW

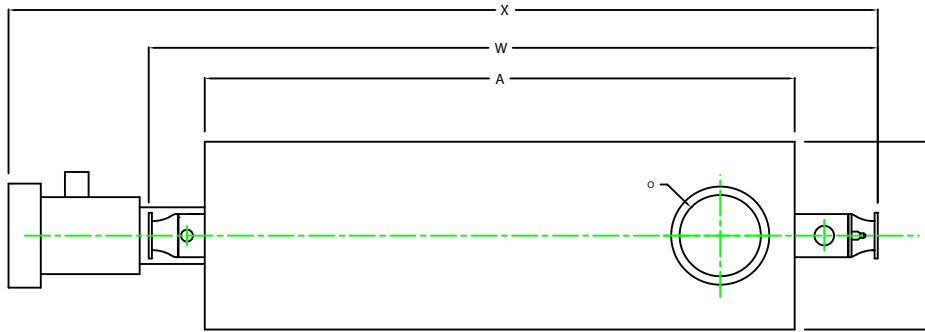
	INCHES	METRIC
BOILER MODEL - ZF1200W		
A LENGTH OF BASE	159 1/2	4051
A1 LENGTH OF SUPPORT FROM BASE	-	-
B HEIGHT	99	2515
C WIDTH OF BASE	55 1/2	1410
D CTR. LOWER DRUM TO CTR. UPPER DRUM	74	1880
E CENTER OF LOWER DRUM TO BOTTOM	14	356
F CENTER OF BURNER OPENING TO BOTTOM	41	1041
G INLET / OUTLET FLANGE CLASS 150	6	152
H NOZZLE CLEARANCE FROM TOP FRONT	14 1/4	362
J CENTER OF FLUE GAS OUTLET TO REAR	21	533
K DRUM CLEARANCE FROM BASE, FRONT	8 5/8	219
L TUBE REMOVAL CLEARANCE FROM BASE	38	965
M UPPER DRUM, OD, NPS	12 3/4	324
N LOWER DRUM, OD, NPS	12 3/4	324
O FLUE GAS OUTLET, ID	22	559
P NOZZLE CLEARANCE FROM BASE, REAR	22 5/8	575
Q BLOWDOWN, NPT	2	51
R BURNER DIMENSION	44 7/8	1140
W OVERALL BOILER LENGTH	196 3/8	4988
X OVERALL BOILER LENGTH WITH BURNER	227	5766

NOTE: "X" DIMENSION MAY VARY BASED ON BURNER

NOTE: DIMENSIONS SUBJECT TO CHANGE WITHOUT NOTICE
 CONSULT FACTORY FOR CERTIFIED DIMENSIONS.

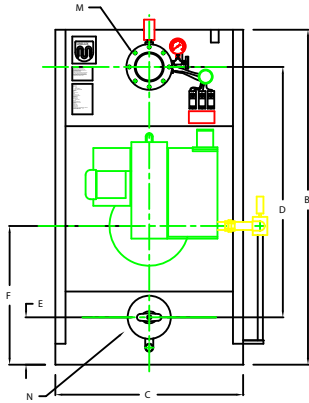
	UNILUX ADVANCED MFG. LLC 30 COMMERCIAL PARK DRIVE NISKAYUNA, NY 12039 Pht: (518) 344-7490 Fax: (518) 344-7495	
	<small>THIS DRAWING, IN WHOLE OR IN PART, IS THE PROPERTY OF UNILUX ADVANCED MFG. LLC. ALL RIGHTS FOR REPRODUCTION, TRANSMISSION OR DISTRIBUTION ARE RESERVED BY UNILUX ADVANCED MFG. LLC.</small>	
	PROJECT:	-
	LOCATION:	-
Model Size:	ZF 1200W	
BURNER:	-	
ELECTRIC:	-	
SUPPLY PSI:	-	
Drawn By:	RIZ RACAZA	Date: 05AUG09
Checked By:	DAVID RAMSON	Date: 05AUG09
Drawing No.:	0800000	Scale: NTS
File No.:	JB00000	REV: 0

ZF1400W

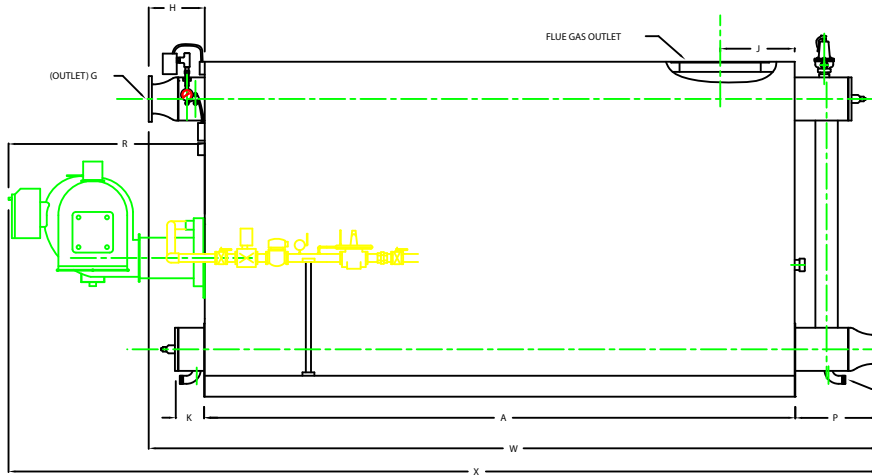


CHIMNEY FLANGE DIMS:
 O.D. = 29"
 I.D. = 24-1/4"
 B.C.D = 26-1/2"
 NO. OF HOLES = 12
 HOLE DIAMETER = 0.53"

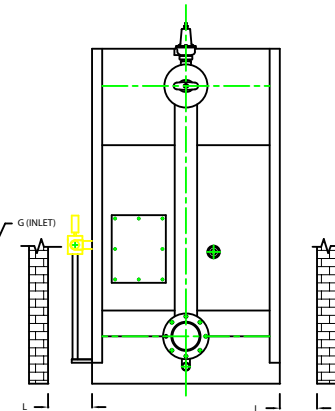
PLAN



FRONT VIEW



SIDE VIEW



REAR VIEW

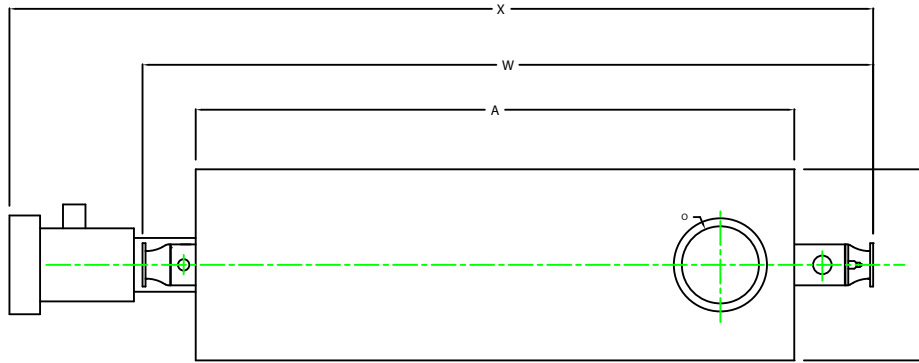
	BOILER MODEL - ZF1400W	INCHES	METRIC
A	LENGTH OF BASE	174 3/4	4439
A1	LENGTH OF SUPPORT FROM BASE	-	-
B	HEIGHT	99	2515
C	WIDTH OF BASE	55 1/2	1410
D	CTR. LOWER DRUM TO CTR. UPPER DRUM	74	1880
E	CENTER OF LOWER DRUM TO BOTTOM	14	356
F	CENTER OF BURNER OPENING TO BOTTOM	41	1041
G	INLET / OUTLET FLANGE CLASS 150	8	203
H	NOZZLE CLEARANCE FROM TOP, FRONT	17 1/8	435
J	CENTER OF FLUE GAS OUTLET TO REAR	22	559
K	DRUM CLEARANCE FROM BASE, FRONT	8 5/8	219
L	TUBE REMOVAL CLEARANCE FROM BASE	38	965
M	UPPER DRUM, OD, NPS	12 3/4	324
N	LOWER DRUM, OD, NPS	12 3/4	324
O	FLUE GAS OUTLET, ID	24	610
P	NOZZLE CLEARANCE FROM BASE, REAR	25 1/8	638
Q	BLOWDOWN, NPT	2	51
R	BURNER DIMENSION	58	1473
W	OVERALL BOILER LENGTH	217	5512
X	OVERALL BOILER LENGTH WITH BURNER	257 7/8	6550

NOTE: "X" DIMENSION MAY VARY BASED ON BURNER

NOTE: DIMENSIONS SUBJECT TO CHANGE WITHOUT NOTICE
 CONSULT FACTORY FOR CERTIFIED DIMENSIONS.

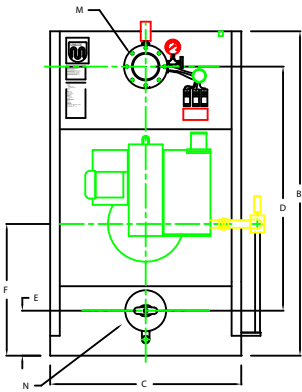
UNILUX ADVANCED MFG. LLC 30 COMMERCIAL PARK DRIVE NISKAYUNA, NY 12099 Ph: (518) 344-7490 Fax: (518) 344-7495	
<small>THIS DRAWING IS UNLESS OTHERWISE SPECIFIED THE PROPERTY OF UNILUX. ALL RIGHTS FOR REPRODUCTION, MODIFICATION OR DISTRIBUTION ARE RESERVED BY UNILUX ADVANCED MFG. LLC.</small>	
PROJECT:	-
LOCATION:	-
Model Size:	ZF-1400W
BURNER:	-
ELECTRIC:	-
SUPPLY PSI:	-
Drawn By:	RIZ RACAJA Date: 05/10/20
Checked By:	DAVID RAMSON Date: 05/10/20
Drawing No.:	QB00000 Scale: NTS
File No.:	J800000 REV: 0

ZF1600W

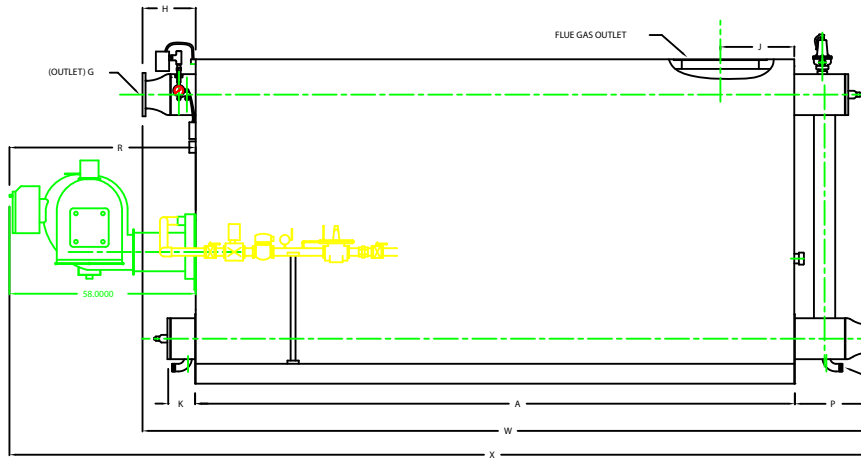


PLAN

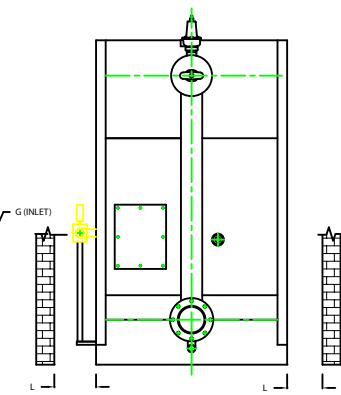
CHIMNEY FLANGE DIMS:
 O.D. = 29"
 I.D. = 24-1/4"
 R.C.D = 26-1/2"
 NO. OF HOLES = 12
 HOLE DIAMETER = 0.53"



FRONT VIEW



SIDE VIEW



REAR VIEW

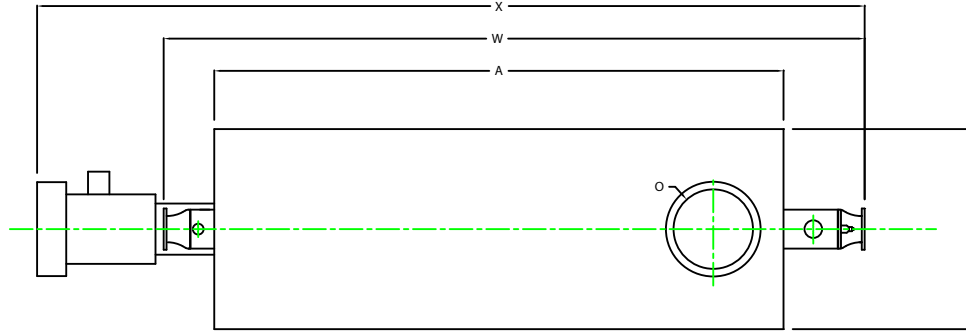
	INCHES	METRIC
BOILER MODEL - ZF1600W		
A	186 3/4	4743
A1	LENGTH OF SUPPORT FROM BASE	
B	HEIGHT	101
C	WIDTH OF BASE	59 1/2
D	CTR. LOWER DRUM TO CTR. UPPER DRUM	76
E	CENTER OF LOWER DRUM TO BOTTOM	14
F	CENTER OF BURNER OPENING TO BOTTOM	41
G	INLET / OUTLET FLANGE, CLASS 150	8
H	NOZZLE CLEARANCE FROM TOP, FRONT	17 1/8
I	CENTER OF FLUE GAS OUTLET TO REAR	73
J	DRUM CLEARANCE FROM BASE, FRONT	8 5/8
K	TUBE REMOVAL CLEARANCE FROM BASE	42
L	UPPER DRUM, O.D. NPS	12 3/4
M	LOWER DRUM, O.D. NPS	12 3/4
N	FLUE GAS OUTLET, I.D.	24
O	NOZZLE CLEARANCE FROM BASE, REAR	25 1/8
P	BLOWDOWN, NPT	2
Q	BURNER DIMENSION	58
R	OVERALL BOILER LENGTH	229
W	OVERALL BOILER LENGTH WITH BURNER	260 7/8
X		6855

NOTE: "X" DIMENSION MAY VARY BASED ON CONFIGURATION

NOTE: DIMENSIONS SUBJECT TO CHANGE WITHOUT NOTICE
 CONSULT FACTORY FOR CERTIFIED DIMENSIONS.

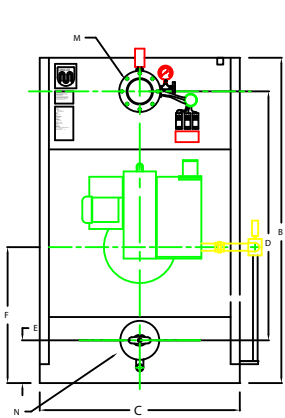
UNILUX ADVANCED MFG. LLC 30 COMMERCE PARK DRIVE NISKAYUNA, NY 12095 Ph: (518) 344-7499 Fax: (518) 344-7495 <small>THIS DOCUMENT IS UNCLASSIFIED AND NOT FOR DISTRIBUTION OUTSIDE THE COMPANY.</small>			
PROJECT:			
LOCATION:			
Model Sizes:	ZF 1600W		
BURNER:			
ELECTRICAL:			
SUPPLY PSI:			
Drawn By:	RIZ RACAZA	Date:	05/16/2009
Checked By:	DAVID RAMSON	Date:	05/16/2009
Drawing No.:	080000	Scale:	NTS
File No.:	080000	REV:	0

ZF1800W

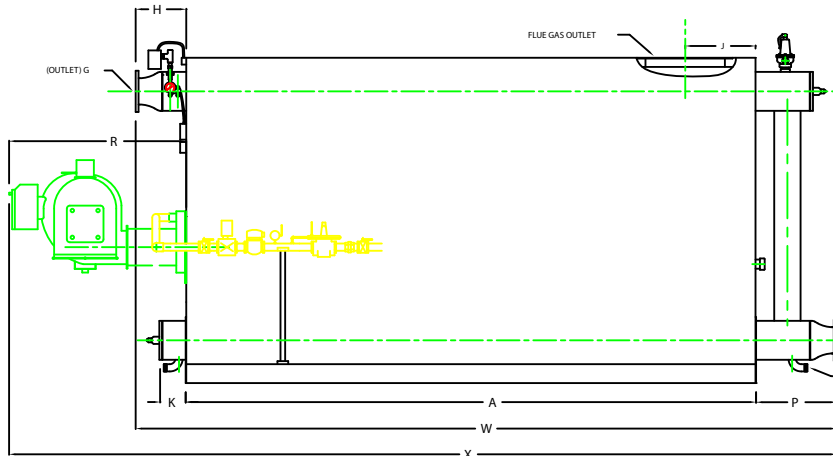


CHIMNEY FLANGE DIMS:
 O.D. = 31"
 I.D. = 26-1/4"
 B.C.D. = 28-1/2"
 NO. OF HOLES = 12
 HOLE DIAMETER = 0.53"

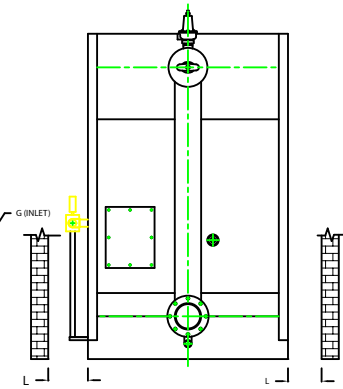
PLAN



FRONT VIEW



SIDE VIEW



REAR VIEW

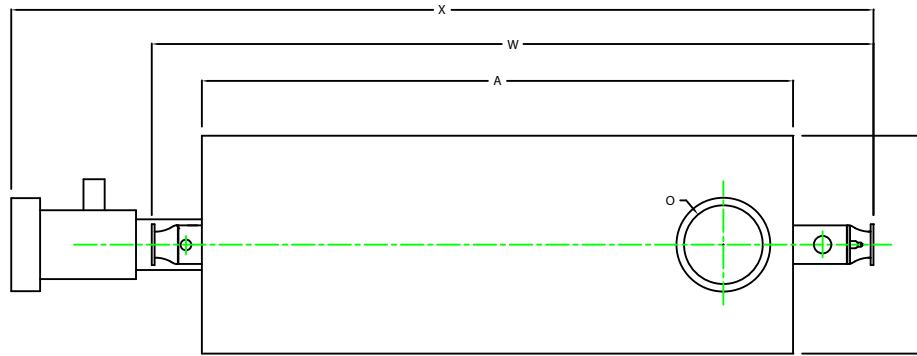
	INCHES	METRIC
BOILER MODEL - ZF1800W		
A1 LENGTH OF BASE	186.3/8	4743
A1 LENGTH OF SUPPORT FROM BASE	-	-
B HEIGHT	196 1/2	2705
C WIDTH OF BASE	65 1/2	1664
D1 CTR. LOWER DRUM TO CTR. UPPER DRUM	4 93 1/2	2070
E CENTER OF LOWER DRUM TO BOTTOM	14	356
F CENTER OF BURNER OPENING TO BOTTOM	44 1/2	1130
G1 INLET/OUTLET FLANGE CLASS 150	8	203
H1 NOZZLE CLEARANCE FROM TOP FRONT	17 1/8	435
J CENTER OF FLUE GAS OUTLET TO REAR	23	584
K DRUM CLEARANCE FROM BASE, FRONT	3 5/8	213
L TUBE REMOVAL CLEARANCE FROM BASE	48	1219
M UPPER DRUM O.D. NPS	12 3/4	324
N1 LOWER DRUM O.D. NPS	12 3/4	324
O FLUE GAS OUTLET O.D.	26	660
P NOZZLE CLEARANCE FROM BASE, REAR	27 1/8	689
Q BLOWDOWN NPT	2	51
R BURNER DIMENSION	58	1473
W OVERALL BOILER LENGTH	231	5867
X OVERALL BOILER LENGTH WITH BURNER	271 7/8	6906

NOTE: "X" DIMENSION MAY VARY BASED ON BURNER

NOTE: DIMENSIONS SUBJECT TO CHANGE WITHOUT NOTICE
 CONTACT FACTORY FOR CERTIFIED DIMENSIONS.

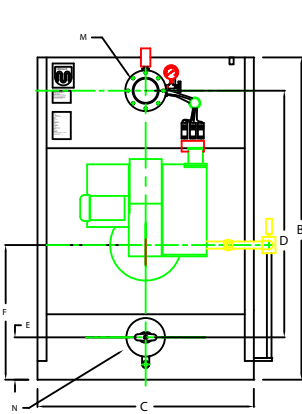
MUNILUX ADVANCED MFG. LLC 10 COMMERCE PARK DRIVE ROSAURORA, NY 12209 PH: (518) 344-7400 FAX: (518) 344-7495	
<small>THIS DOCUMENT IS THE PROPERTY OF MUNILUX ADVANCED MFG. LLC. IT IS TO BE USED FOR THE MANUFACTURE OF THE EQUIPMENT SPECIFIED HEREIN. IT IS NOT TO BE REPRODUCED OR TRANSMITTED IN ANY FORM OR BY ANY MEANS, ELECTRONIC OR MECHANICAL, INCLUDING PHOTOCOPYING, RECORDING, OR BY ANY INFORMATION STORAGE AND RETRIEVAL SYSTEM.</small>	
PROJECT:	
LOCATION:	
Model Size:	ZF 1800W
BURNER:	
ELECTRIC:	
EQUIP. P/N:	
Drawn By:	RIZ BAKAZA Date: 05AUG09
Checked By:	DAVID RAMSON Date: 05AUG09
Drawn No.:	CS00000 Scale: 1:15
File No.:	JB00000 REV: 0

ZF2000W

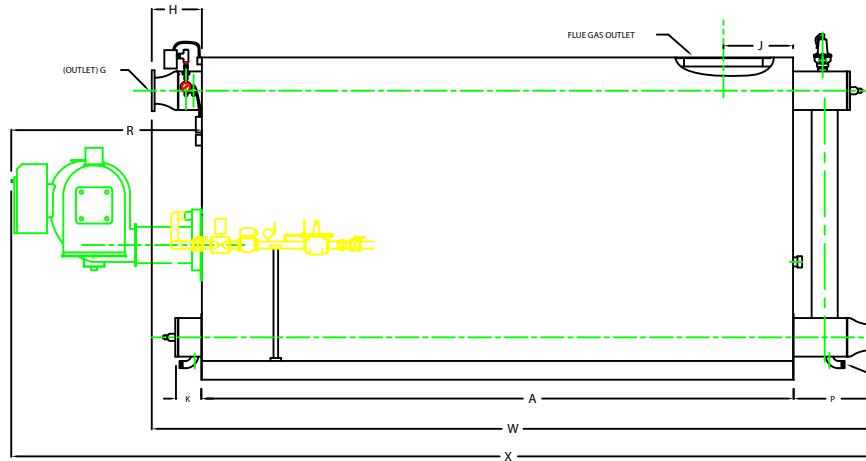


PLAN

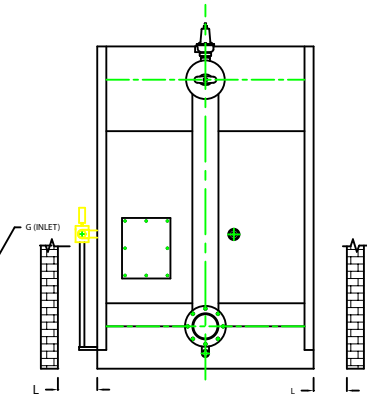
CHIMNEY FLANGE DIMS:
 O.D. = 31"
 I.D. = 26-1/4"
 B.C.D = 28-1/2"
 NO. OF HOLES = 12
 HOLE DIAMETER = 0.53"



FRONT VIEW



SIDE VIEW



REAR VIEW

	INCHES	METRIC
I BOILER MODEL - ZF2000W		
A LENGTH OF BASE	195 3/4	4922
A1 LENGTH OF SUPPORT FROM BASE		
B HEIGHT	106 1/2	2705
C WIDTH OF BASE	71 1/2	1816
D CTR. LOWER DRUM TO CTR. UPPER DRUM	81 1/2	2070
E CENTER OF LOWER DRUM TO BOTTOM	14	356
F CENTER OF BURNER OPENING TO BOTTOM	44 1/2	1130
G INLET / OUTLET FLANGE CLASS 150	8	203
H NOZZLE CLEARANCE FROM TOP FRONT	17 1/8	435
J CENTER OF FLUE GAS OUTLET TO RH	23	584
K DRUM CLEARANCE FROM BASE, FRONT	8 5/8	189
L TUBE REMOVAL CLEARANCE FROM BASE	54	1372
M UPPER DRUM OD, NPS	12 3/4	324
N LOWER DRUM OD, NPS	12 3/4	324
O FLUE GAS OUTLET ID	26	660
P NOZZLE CLEARANCE FROM BASE, REAR	27 1/8	689
Q BLOWDOWN, NET	2	51
R BURNER DIMENSION	63	1600
W OVERALL BOILER LENGTH	249	6298
X OVERALL BOILER LENGTH WITH BURNER	295 7/8	7501

NOTE: "X" DIMENSION MAY VARY BASED ON BURNER

NOTE: DIMENSIONS SUBJECT TO CHANGE WITHOUT NOTICE
 CONSULT FACTORY FOR CERTIFIED DIMENSIONS.

LUNILUX ADVANCED MFG. LLC 40 COMMERCIAL PARK DRIVE ROSKATON, NY 12129 Ph: (518) 344-7490 Fax: (518) 344-7495			
<small>ALL DIMENSIONS UNLESS OTHERWISE SPECIFIED ARE IN INCHES. ALL RIGHTS FOR REPRODUCTION, MODIFICATION OR PARTIAL OR WHOLE REUSE ARE RESERVED BY DESIGNER OR USER.</small>			
PROJECT:			
LOCATION:			
Model Sizes: ZF 2000W			
BURNER:			
FLUE GRC:			
SUPPLY PSI:			
Drawn By:	REZ RACAZA	Date:	05/20/2020
Checked By:	CHRISTOPHER	Drawn:	Y. OSALDES
Drawing No.:	08000000	Scale:	N/T/S
File No.:	18000000	REV:	0