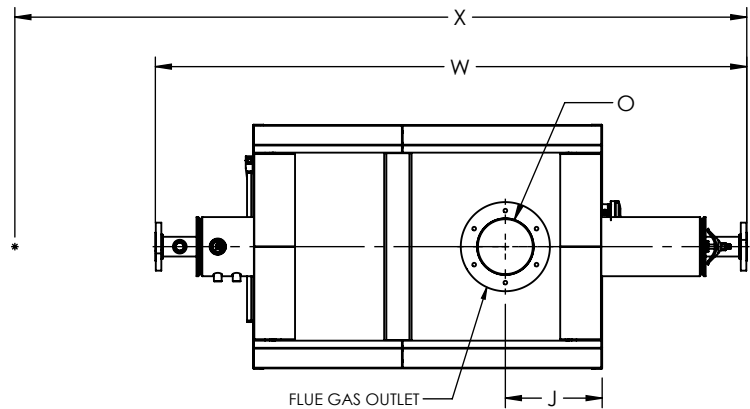


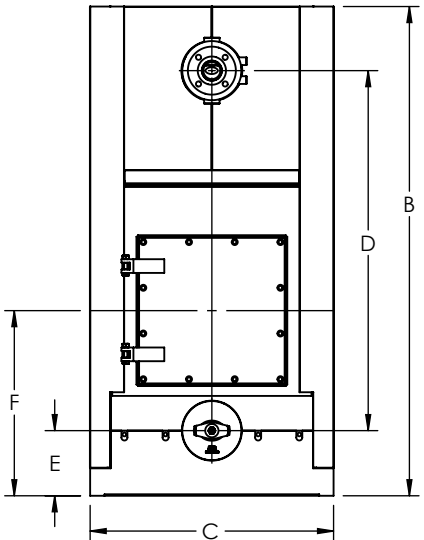
FLUE GAS OUTLET CONNECTION		
FLANGE DIMENSIONS	in	mm
O.D.	13.00	330
I.D.	8.25	210
B.C.D	10.50	267
HOLE DIAMETER	0.53	13
No. OF HOLES	6	



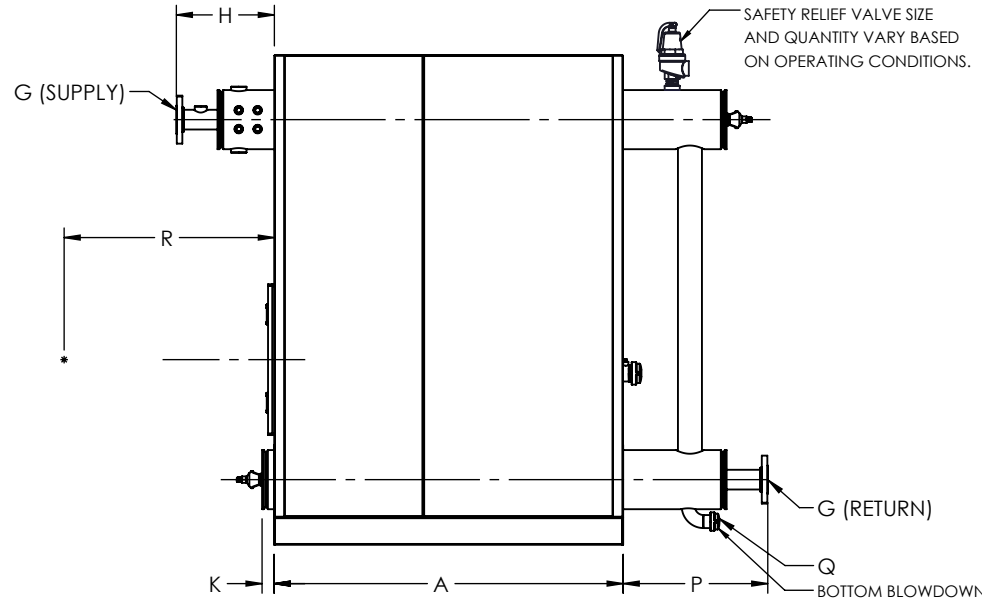
**TOP VIEW**

GENERAL DIMENSIONS		
	in	mm
A	BOILER BASE LENGTH	50.91 1293
B	OVERALL BOILER HEIGHT	71.35 1812
C	BOILER BASE WIDTH	35.50 902
D	CENTER OF BOTTOM DRUM TO CENTER OF TOP DRUM	52.50 1334
E	CENTER OF BOTTOM DRUM TO BOTTOM	9.50 241
F	CENTER OF BURNER OPENING TO BOTTOM	27.00 686
G	SUPPLY/RETURN NOZZLE, FLANGE, CLASS 150 (NPS)	2.50 64
H	SUPPLY NOZZLE CLEARANCE FROM FRONT	14.29 363
J	CENTER OF FLUE GAS OUTLET TO REAR	14.08 358
K	BOTTOM DRUM CLEARANCE FROM FRONT	1.75 44
L	TUBE REMOVAL CLEARANCE FROM BASE	19.00 483
M	UPPER DRUM, O.D.	8.63 219
N	LOWER DRUM, O.D.	8.63 219
O	FLUE GAS OUTLET, I.D.	8.00 203
P	RETURN NOZZLE CLEARANCE FROM REAR	21.09 536
Q	BOTTOM BLOWDOWN (NPT)	1.50 38
R	BURNER LENGTH	0.00 0
W	OVERALL BOILER LENGTH	86.25 2191
X	OVERALL BOILER LENGTH WITH BURNER	0.00 0

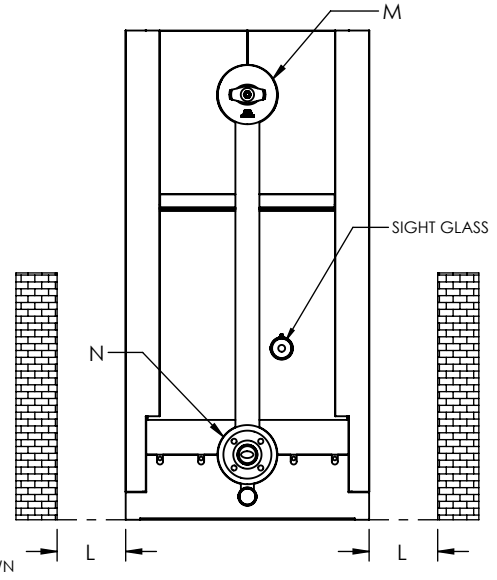
NOTE: DIMENSIONS SUBJECT TO CHANGE WITHOUT NOTICE. CONSULT FACTORY FOR CERTIFIED DIMENSIONS.



**FRONT VIEW**



**SIDE VIEW**



**REAR VIEW**

**UNILUX ADVANCED MFG., LLC.**  
 30 COMMERCE PARK DRIVE  
 NISKAYUNA, NY 12309  
 Ph: (518) 344-7490



THIS DRAWING EMBODIES A CONFIDENTIAL PROPRIETARY DESIGN. ALL RIGHTS FOR REPRODUCTION, MANUFACTURING OR PATENTS ARE RESERVED BY UNILUX ADVANCED MANUFACTURING, LLC.			
Drawn By:	-	Date:	-
Checked By:	-	Date:	-
Drawing No.:	ZF 100W-SUBMITTAL		
File No.:	QBXXX	REV.:	00

PROJECT:	-
LOCATION:	-
MODEL:	ZF 100W
BURNER:	-
ELECTRIC:	-
SUPPLY PSI:	-

ZONE	REV.	DESCRIPTION	DATE
		REVISIONS	