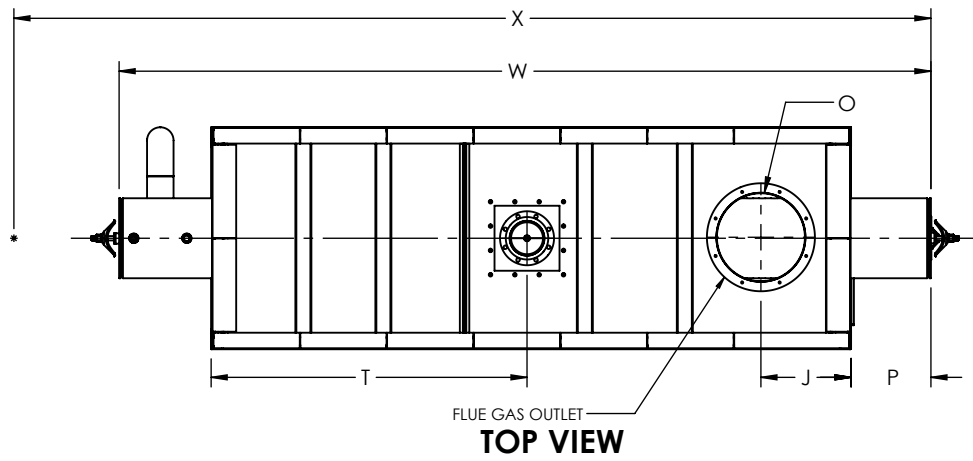
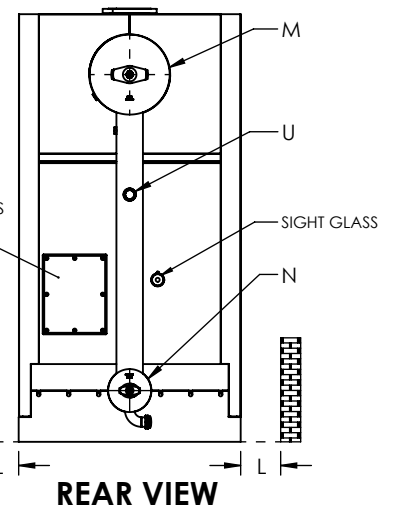
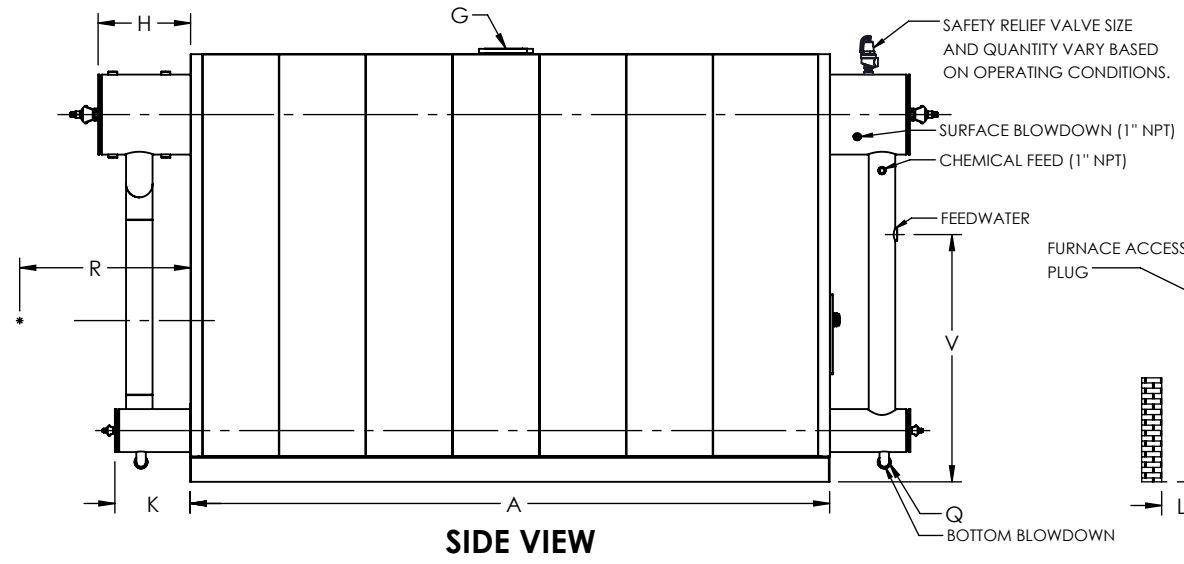
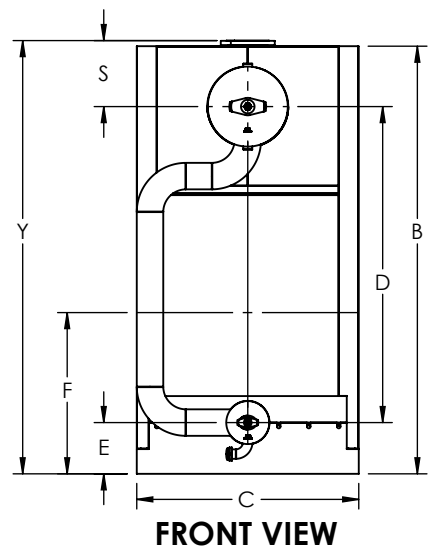


FLUE GAS OUTLET CONNECTION		
FLANGE DIMENSIONS	in	mm
O.D.	27.00	686
I.D.	22.25	565
B.C.D	24.50	622
HOLE DIAMETER	0.53	13
No. OF HOLES	8	



GENERAL DIMENSIONS		
	in	mm
A	BOILER BASE LENGTH	159.88 4061
B	BOILER HOUSING HEIGHT	106.91 2716
C	BOILER BASE WIDTH	55.50 1410
D	CENTER OF BOTTOM DRUM TO CENTER OF TOP DRUM	79.00 2007
E	CENTER OF BOTTOM DRUM TO BOTTOM	12.81 325
F	CENTER OF BURNER OPENING TO BOTTOM	40.31 1024
G	STEAM OUTLET, FLANGE, CLASS 150 (NPS)	8.00 203
H	TOP DRUM CLEARANCE FROM FRONT	23.12 587
J	CENTER OF FLUE GAS OUTLET TO REAR	22.54 573
K	BOTTOM DRUM CLEARANCE FROM FRONT	18.81 478
L	TUBE REMOVAL CLEARANCE FROM BASE	39.00 991
M	UPPER DRUM, O.D.	20.00 508
N	LOWER DRUM, O.D.	10.75 273
O	FLUE GAS OUTLET, I.D.	22.00 559
P	TOP DRUM CLEARANCE FROM REAR	19.96 507
Q	BOTTOM BLOWDOWN (NPT)	2.00 51
R	BURNER LENGTH	0.00
S	CENTER OF TOP DRUM TO TOP OF STEAM OUTLET	16.50 419
T	CENTER OF STEAM OUTLET TO FRONT	78.86 2003
U	FEEDWATER INLET, COUPLING (NPT)	2.00 51
V	FEEDWATER ELEVATION FROM BOTTOM	61.81 1570
W	OVERALL BOILER LENGTH	202.96 5155
X	OVERALL BOILER LENGTH WITH BURNER	0.00
Y	OVERALL BOILER HEIGHT	108.31 2751

NOTE: DIMENSIONS SUBJECT TO CHANGE WITHOUT NOTICE. CONSULT FACTORY FOR CERTIFIED DIMENSIONS.



UNILUX ADVANCED MFG., LLC.
 30 COMMERCE PARK DRIVE
 NISKAYUNA, NY 12309
 Ph: (518) 344-7490

THIS DRAWING EMBODIES A CONFIDENTIAL PROPRIETARY DESIGN. ALL RIGHTS FOR REPRODUCTION, MANUFACTURING OR PATENTS ARE RESERVED BY UNILUX ADVANCED MANUFACTURING, LLC.

Drawn By: -	Date: -
Checked By: -	Date: -
Drawing No. : ZF 1200LS-SUBMITTAL	
File No. : QBXXX	REV. : 00

PROJECT:	-
LOCATION:	-
MODEL:	ZF 1200LS
BURNER:	-
ELECTRIC:	-
SUPPLY PSI:	-

ZONE	REV.	DESCRIPTION	DATE
REVISIONS			