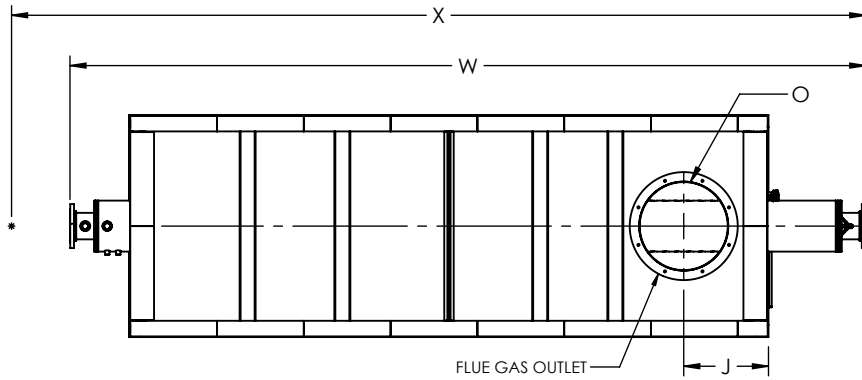


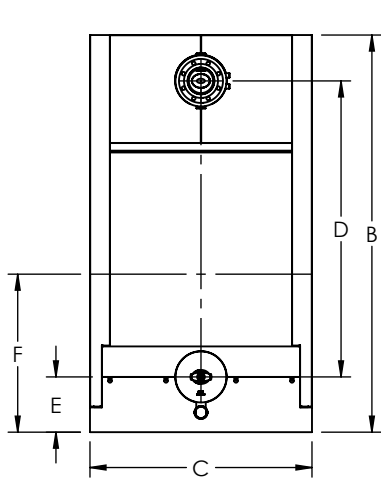
FLUE GAS OUTLET CONNECTION		
<b>FLANGE DIMENSIONS</b>	<b>in</b>	<b>mm</b>
O.D.	27.00	686
I.D.	22.25	565
B.C.D	24.50	622
<b>HOLE DIAMETER</b>	0.53	13
<b>No. OF HOLES</b>	8	



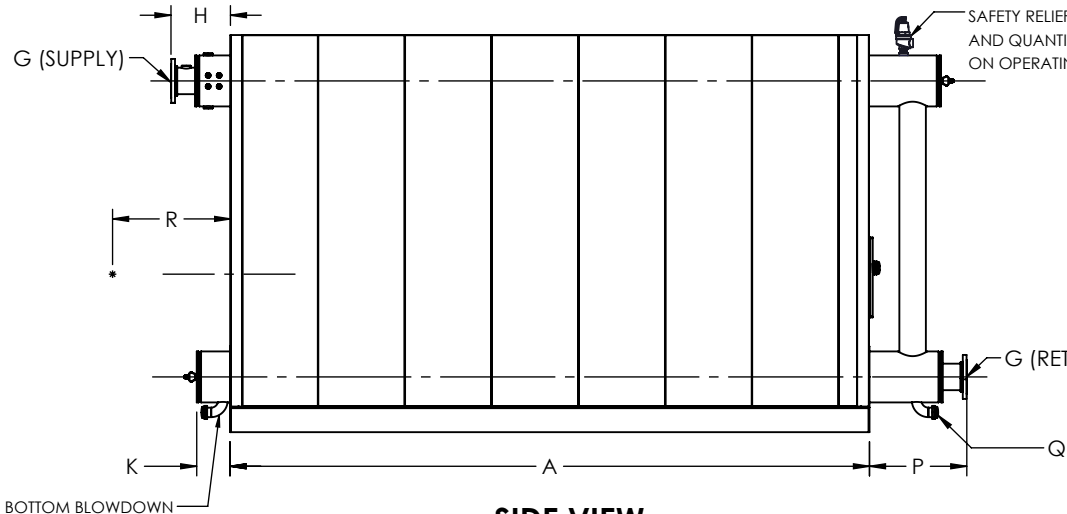
**TOP VIEW**

GENERAL DIMENSIONS		
	<b>in</b>	<b>mm</b>
<b>A</b>	BOILER BASE LENGTH	159.88 4061
<b>B</b>	OVERALL BOILER HEIGHT	99.28 2522
<b>C</b>	BOILER BASE WIDTH	55.50 1410
<b>D</b>	CENTER OF BOTTOM DRUM TO CENTER OF TOP DRUM	74.00 1880
<b>E</b>	CENTER OF BOTTOM DRUM TO BOTTOM	13.81 351
<b>F</b>	CENTER OF BURNER OPENING TO BOTTOM	41.00 1041
<b>G</b>	SUPPLY/RETURN NOZZLE, FLANGE, CLASS 150 (NPS)	6.00 152
<b>H</b>	SUPPLY NOZZLE CLEARANCE FROM FRONT	14.86 377
<b>J</b>	CENTER OF FLUE GAS OUTLET TO REAR	21.08 535
<b>K</b>	BOTTOM DRUM CLEARANCE FROM FRONT	8.31 211
<b>L</b>	TUBE REMOVAL CLEARANCE FROM BASE	39.00 991
<b>M</b>	UPPER DRUM, O.D.	12.75 324
<b>N</b>	LOWER DRUM, O.D.	12.75 324
<b>O</b>	FLUE GAS OUTLET, I.D.	22.00 559
<b>P</b>	RETURN NOZZLE CLEARANCE FROM REAR	24.33 618
<b>Q</b>	BOTTOM BLOWDOWN (NPT)	2.00 51
<b>R</b>	BURNER LENGTH	0.00 0
<b>W</b>	OVERALL BOILER LENGTH	198.96 5054
<b>X</b>	OVERALL BOILER LENGTH WITH BURNER	0.00 0

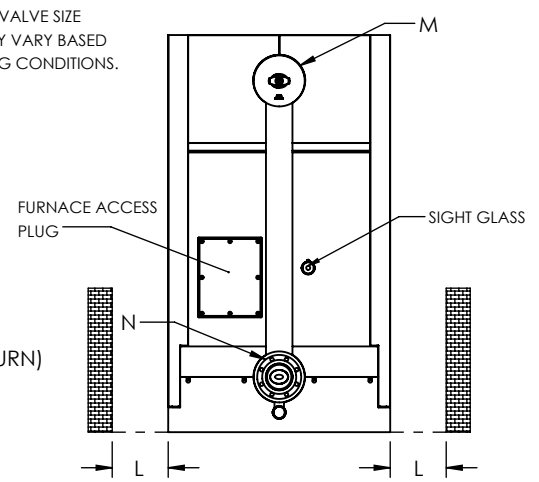
NOTE: DIMENSIONS SUBJECT TO CHANGE WITHOUT NOTICE. CONSULT FACTORY FOR CERTIFIED DIMENSIONS.



**FRONT VIEW**




**SIDE VIEW**



**REAR VIEW**

SAFETY RELIEF VALVE SIZE AND QUANTITY VARY BASED ON OPERATING CONDITIONS.

**UNILUX ADVANCED MFG., LLC.**  
 30 COMMERCE PARK DRIVE  
 NISKAYUNA, NY 12309  
 Ph: (518) 344-7490



THIS DRAWING EMBODIES A CONFIDENTIAL PROPRIETARY DESIGN. ALL RIGHTS FOR REPRODUCTION, MANUFACTURING OR PATENTS ARE RESERVED BY UNILUX ADVANCED MANUFACTURING, LLC.

Drawn By: -	Date: -
Checked By: -	Date: -
Drawing No. : ZF 1200W-SUBMITTAL	
File No. : QBXXX	REV. : 00

PROJECT:	-
LOCATION:	-
MODEL:	ZF 1200W
BURNER:	-
ELECTRIC:	-
SUPPLY PSI:	-

ZONE	REV.	DESCRIPTION	DATE
REVISIONS			