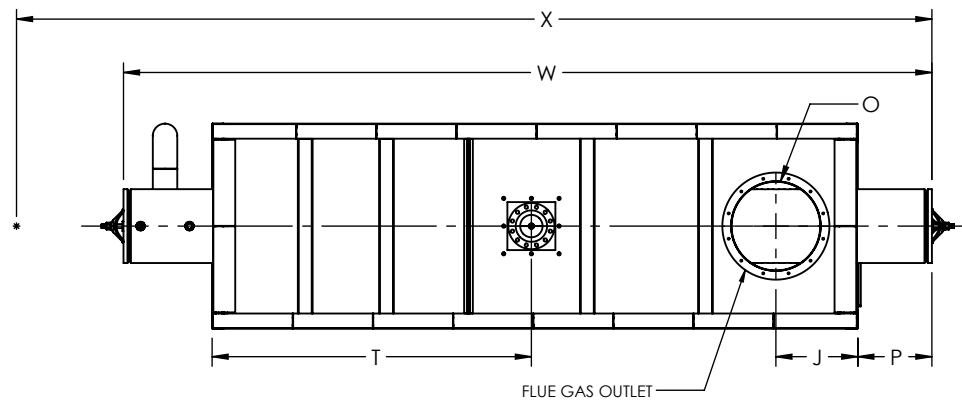


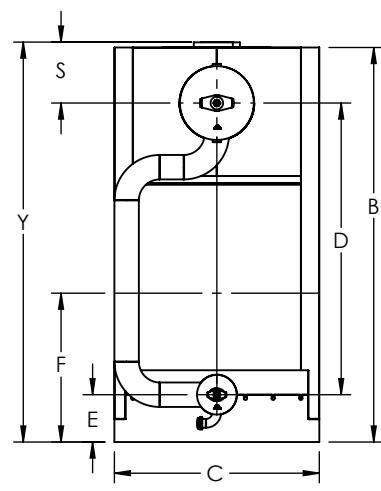
FLUE GAS OUTLET CONNECTION		
FLANGE DIMENSIONS	in	mm
O.D.	29.00	737
I.D.	24.25	616
B.C.D	26.50	673
HOLE DIAMETER	0.53	13
No. OF HOLES	12	



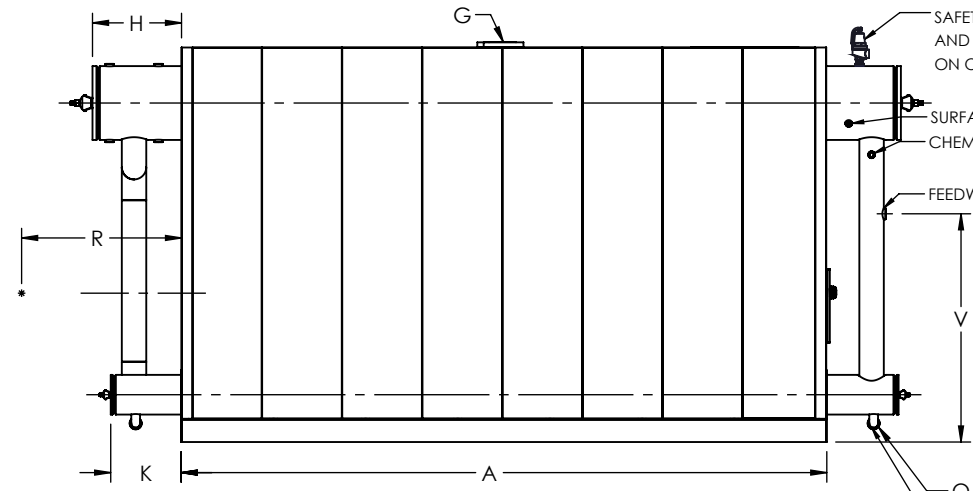
**TOP VIEW**

GENERAL DIMENSIONS		
	in	mm
A	BOILER BASE LENGTH	174.88 4442
B	BOILER HOUSING HEIGHT	106.85 2714
C	BOILER BASE WIDTH	55.50 1410
D	CENTER OF BOTTOM DRUM TO CENTER OF TOP DRUM	79.00 2007
E	CENTER OF BOTTOM DRUM TO BOTTOM	12.81 325
F	CENTER OF BURNER OPENING TO BOTTOM	40.31 1024
G	STEAM OUTLET, FLANGE, CLASS 300 (NPS)	6.00 152
H	TOP DRUM CLEARANCE FROM FRONT	24.11 612
J	CENTER OF FLUE GAS OUTLET TO REAR	22.04 560
K	BOTTOM DRUM CLEARANCE FROM FRONT	19.06 484
L	TUBE REMOVAL CLEARANCE FROM BASE	39.00 991
M	UPPER DRUM, O.D.	20.00 508
N	LOWER DRUM, O.D.	10.75 273
O	FLUE GAS OUTLET, I.D.	24.00 610
P	TOP DRUM CLEARANCE FROM REAR	20.21 513
Q	BOTTOM BLOWDOWN (NPT)	2.00 51
R	BURNER LENGTH	0.00
S	CENTER OF TOP DRUM TO TOP OF STEAM OUTLET	16.50 419
T	CENTER OF STEAM OUTLET TO FRONT	86.36 2193
U	FEEDWATER INLET, COUPLING (NPT)	2.00 51
V	FEEDWATER ELEVATION FROM BOTTOM	61.81 1570
W	OVERALL BOILER LENGTH	218.94 5561
X	OVERALL BOILER LENGTH WITH BURNER	0.00
Y	OVERALL BOILER HEIGHT	108.31 2751

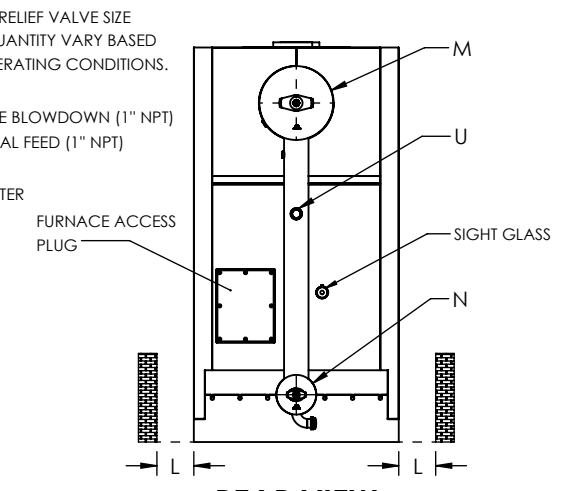
NOTE: DIMENSIONS SUBJECT TO CHANGE WITHOUT NOTICE. CONSULT FACTORY FOR CERTIFIED DIMENSIONS.



**FRONT VIEW**



**SIDE VIEW**



**REAR VIEW**

**UNILUX ADVANCED MFG., LLC.**  
 30 COMMERCE PARK DRIVE  
 NISKAYUNA, NY 12309  
 Ph: (518) 344-7490



THIS DRAWING EMBODIES A CONFIDENTIAL PROPRIETARY DESIGN. ALL RIGHTS FOR REPRODUCTION, MANUFACTURING OR PATENTS ARE RESERVED BY UNILUX ADVANCED MANUFACTURING, LLC.

PROJECT:	-
LOCATION:	-
MODEL:	ZF 1400HS
BURNER:	-
ELECTRIC:	-
SUPPLY PSI:	-

Drawn By:	-	Date:	-
Checked By:	-	Date:	-
Drawing No.:	ZF 1400HS-SUBMITTAL		
File No.:	QBXXX	REV.:	00

ZONE	REV.	DESCRIPTION	DATE
REVISIONS			