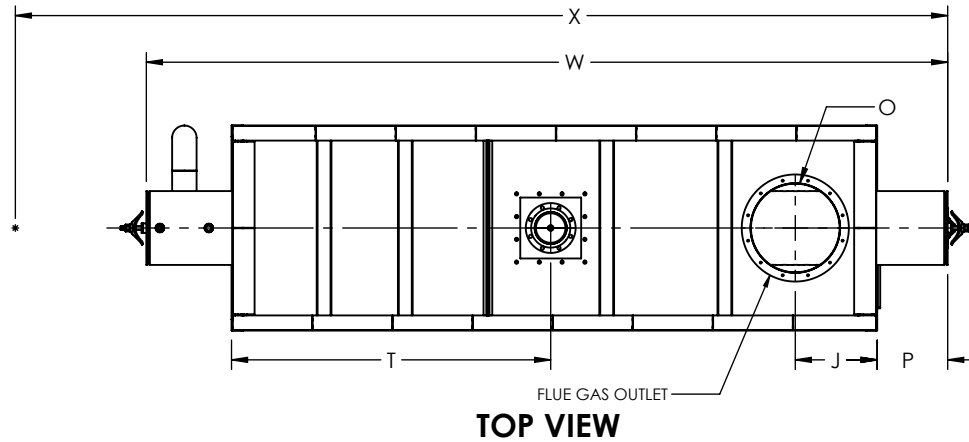
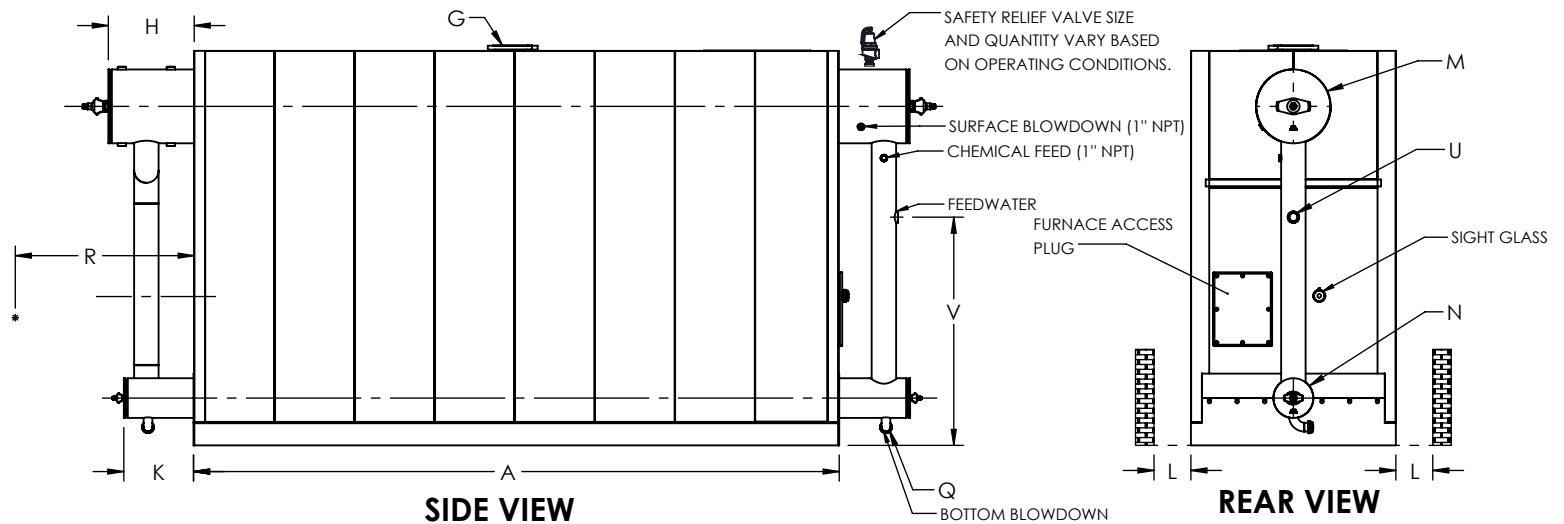
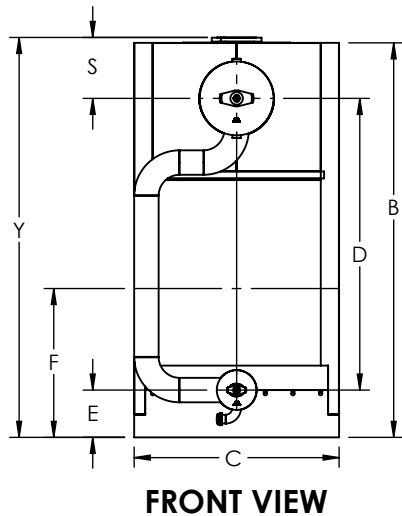


FLUE GAS OUTLET CONNECTION		
FLANGE DIMENSIONS	in	mm
O.D.	29.00	737
I.D.	24.25	616
B.C.D	26.50	673
HOLE DIAMETER	0.53	13
No. OF HOLES	12	



GENERAL DIMENSIONS		
	in	mm
A	174.88	4442
B	106.85	2714
C	55.50	1410
D	79.00	2007
E	12.81	325
F	40.31	1024
G	8.00	203
H	23.24	590
J	22.02	559
K	18.88	480
L	39.00	991
M	20.00	508
N	10.75	273
O	24.00	610
P	19.26	489
Q	2.00	51
R	0.00	
S	16.50	419
T	86.28	2192
U	2.00	51
V	61.81	1570
W	217.03	5513
X	0.00	
Y	108.31	2751

NOTE: DIMENSIONS SUBJECT TO CHANGE WITHOUT NOTICE. CONSULT FACTORY FOR CERTIFIED DIMENSIONS.



UNILUX ADVANCED MFG., LLC.
 30 COMMERCE PARK DRIVE
 NISKAYUNA, NY 12309
 Ph: (518) 344-7490



<small>THIS DRAWING EMBODIES A CONFIDENTIAL PROPRIETARY DESIGN. ALL RIGHTS FOR REPRODUCTION, MANUFACTURING OR PATENTS ARE RESERVED BY UNILUX ADVANCED MANUFACTURING, LLC.</small>			
Drawn By:	-	Date:	-
Checked By:	-	Date:	-
Drawing No.:	ZF 1400LS-SUBMITTAL		
File No.:	QBXXX	REV.:	00

PROJECT:	-
LOCATION:	-
MODEL:	ZF 1400LS
BURNER:	-
ELECTRIC:	-
SUPPLY PSI:	-

ZONE	REV.	DESCRIPTION	DATE
		REVISIONS	