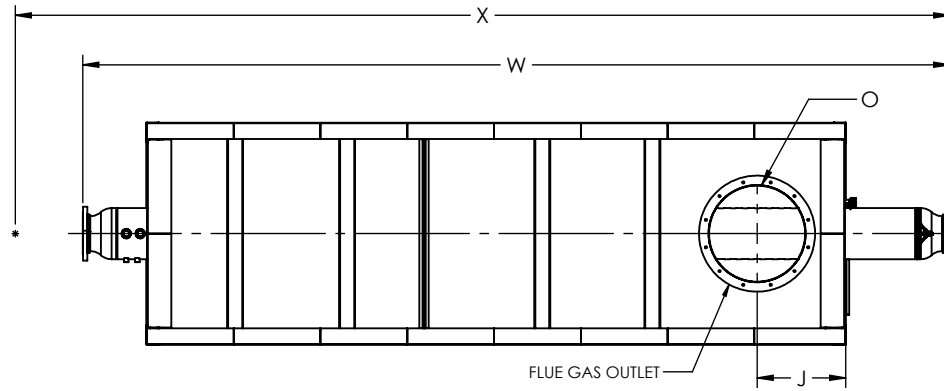


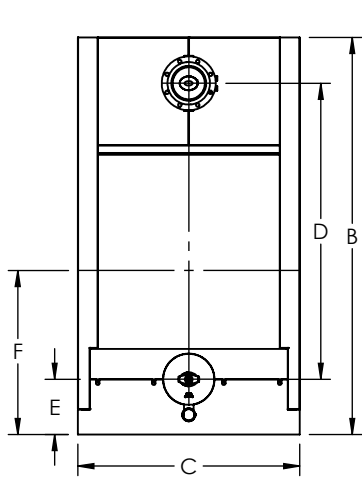
FLUE GAS OUTLET CONNECTION		
FLANGE DIMENSIONS	in	mm
O.D.	29.00	737
I.D.	24.25	616
B.C.D	26.50	673
HOLE DIAMETER	0.53	13
No. OF HOLES	12	



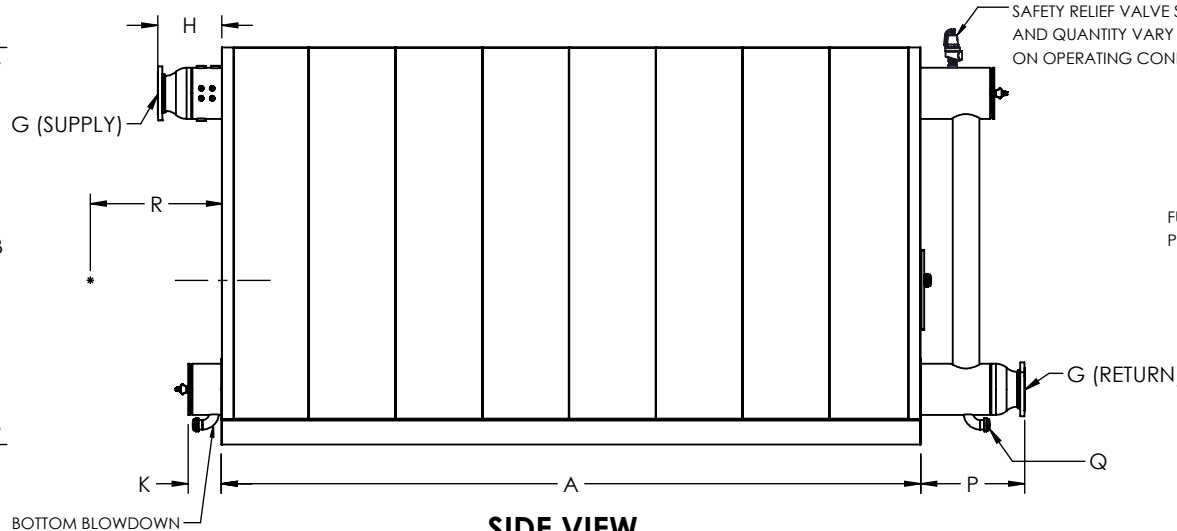
TOP VIEW

GENERAL DIMENSIONS		
	in	mm
A	BOILER BASE LENGTH	174.88 4442
B	OVERALL BOILER HEIGHT	99.28 2522
C	BOILER BASE WIDTH	55.50 1410
D	CENTER OF BOTTOM DRUM TO CENTER OF TOP DRUM	74.00 1880
E	CENTER OF BOTTOM DRUM TO BOTTOM	13.81 351
F	CENTER OF BURNER OPENING TO BOTTOM	41.00 1041
G	SUPPLY/RETURN NOZZLE, FLANGE, CLASS 150 (NPS)	8.00 203
H	SUPPLY NOZZLE CLEARANCE FROM FRONT	15.98 406
J	CENTER OF FLUE GAS OUTLET TO REAR	22.08 561
K	BOTTOM DRUM CLEARANCE FROM FRONT	8.31 211
L	TUBE REMOVAL CLEARANCE FROM BASE	39.00 991
M	UPPER DRUM, O.D.	12.75 324
N	LOWER DRUM, O.D.	12.75 324
O	FLUE GAS OUTLET, I.D.	24.00 610
P	RETURN NOZZLE CLEARANCE FROM REAR	25.97 660
Q	BOTTOM BLOWDOWN (NPT)	2.00 51
R	BURNER LENGTH	0.00 0
W	OVERALL BOILER LENGTH	216.71 5504
X	OVERALL BOILER LENGTH WITH BURNER	0.00 0

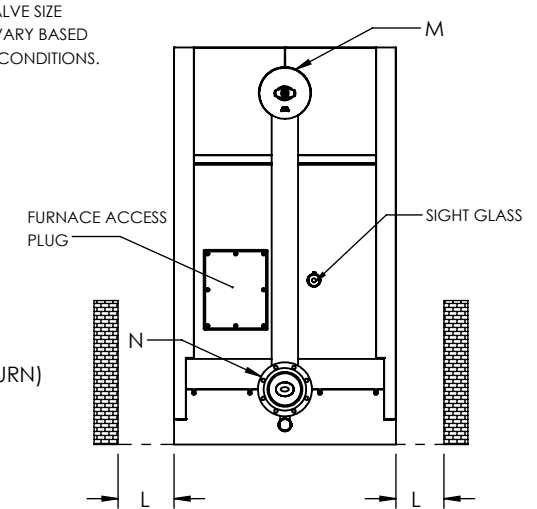
NOTE: DIMENSIONS SUBJECT TO CHANGE WITHOUT NOTICE. CONSULT FACTORY FOR CERTIFIED DIMENSIONS.



FRONT VIEW



SIDE VIEW



REAR VIEW

UNILUX ADVANCED MFG., LLC.

30 COMMERCE PARK DRIVE
NISKAYUNA, NY 12309
Ph: (518) 344-7490



THIS DRAWING EMBODIES A CONFIDENTIAL PROPRIETARY DESIGN. ALL RIGHTS FOR REPRODUCTION, MANUFACTURING OR PATENTS ARE RESERVED BY UNILUX ADVANCED MANUFACTURING, LLC.

PROJECT:	-
LOCATION:	-
MODEL:	ZF 1400W
BURNER:	-
ELECTRIC:	-
SUPPLY PSI:	-

Drawn By:	-	Date:	-
Checked By:	-	Date:	-
Drawing No.:	ZF 1400W-SUBMITTAL		
File No.:	QBXXX	REV.:	00

ZONE	REV.	DESCRIPTION	DATE
REVISIONS			