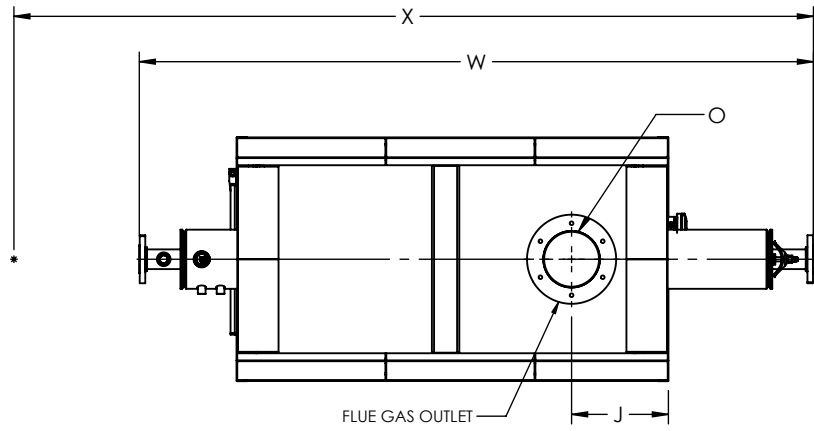


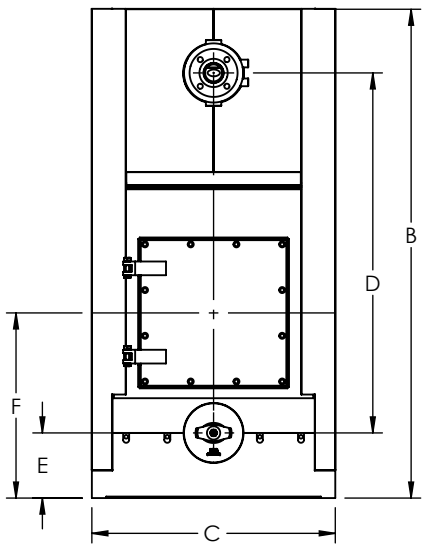
FLUE GAS OUTLET CONNECTION		
FLANGE DIMENSIONS	in	mm
O.D.	13.00	330
I.D.	8.25	210
B.C.D	10.50	267
HOLE DIAMETER	0.53	13
No. OF HOLES	6	



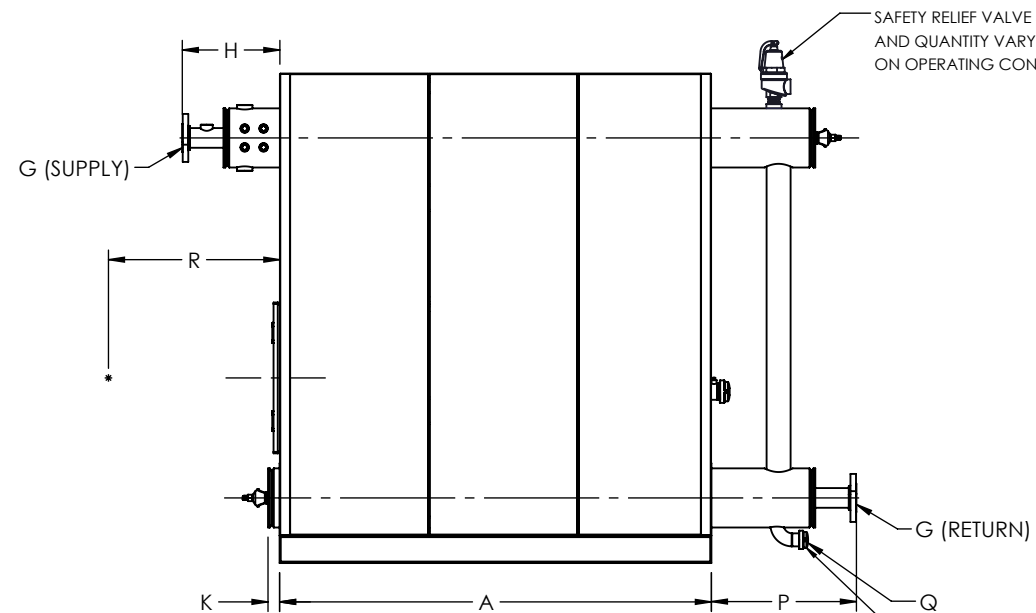
**TOP VIEW**

GENERAL DIMENSIONS		
	in	mm
A	62.97	1599
B	71.35	1812
C	35.50	902
D	52.50	1334
E	9.50	241
F	27.00	686
G	2.50	64
H	14.23	361
J	14.08	358
K	1.69	43
L	19.00	483
M	8.63	219
N	8.63	219
O	8.00	203
P	21.15	537
Q	1.50	38
R	0.00	0
W	98.31	2497
X	0.00	0

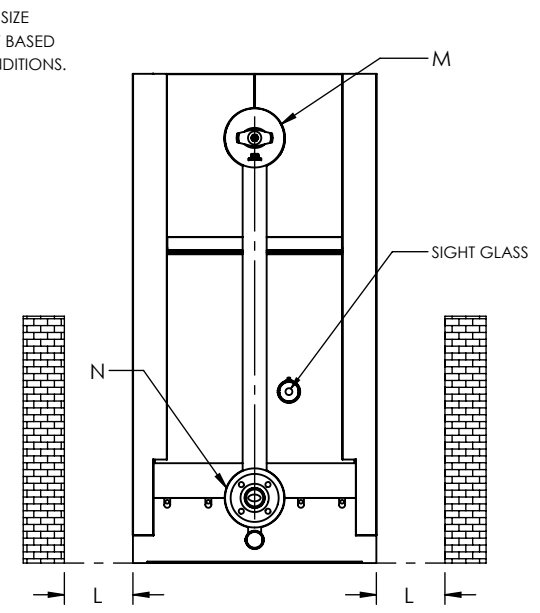
NOTE: DIMENSIONS SUBJECT TO CHANGE WITHOUT NOTICE. CONSULT FACTORY FOR CERTIFIED DIMENSIONS.



**FRONT VIEW**



**SIDE VIEW**




**REAR VIEW**

ZONE	REV.	DESCRIPTION	DATE
REVISIONS			

PROJECT:	-
LOCATION:	-
MODEL:	ZF 150W
BURNER:	-
ELECTRIC:	-
SUPPLY PSI:	-

**UNILUX ADVANCED MFG., LLC.**  
 30 COMMERCE PARK DRIVE  
 NISKAYUNA, NY 12309  
 Ph: (518) 344-7490



THIS DRAWING EMBODIES A CONFIDENTIAL PROPRIETARY DESIGN. ALL RIGHTS FOR REPRODUCTION, MANUFACTURING OR PATENTS ARE RESERVED BY UNILUX ADVANCED MANUFACTURING, LLC.

Drawn By:	-	Date:	-
Checked By:	-	Date:	-
Drawing No.:	ZF 150W-SUBMITTAL		
File No.:	QBXXX	REV.:	00