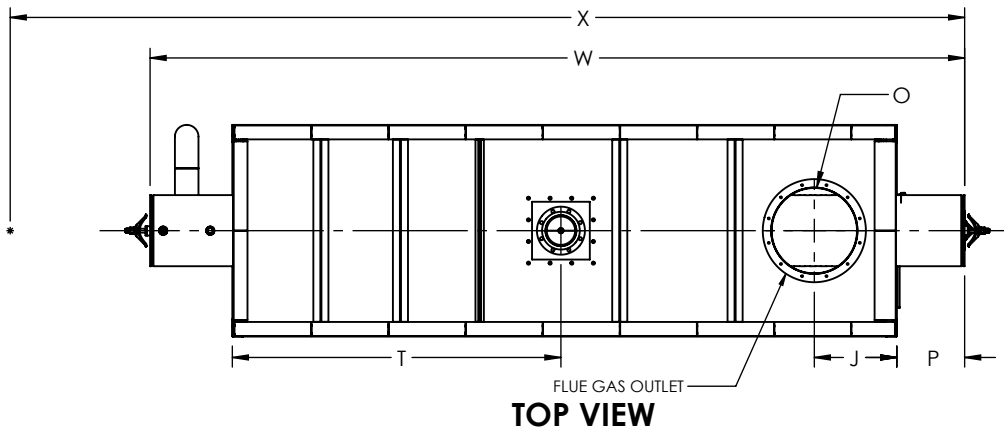
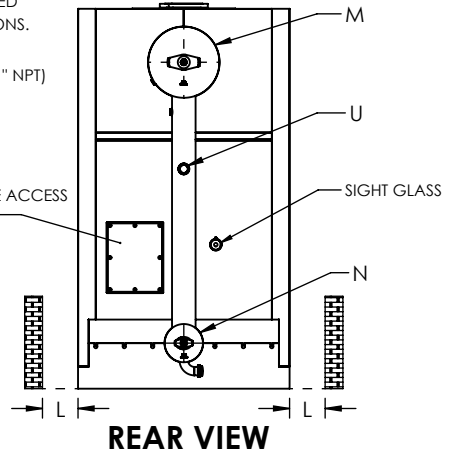
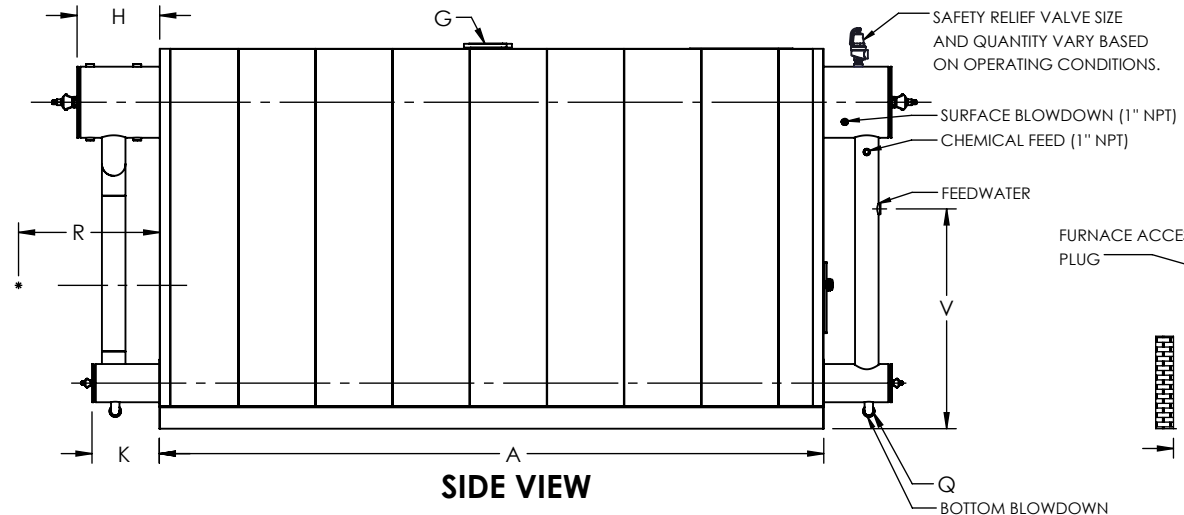
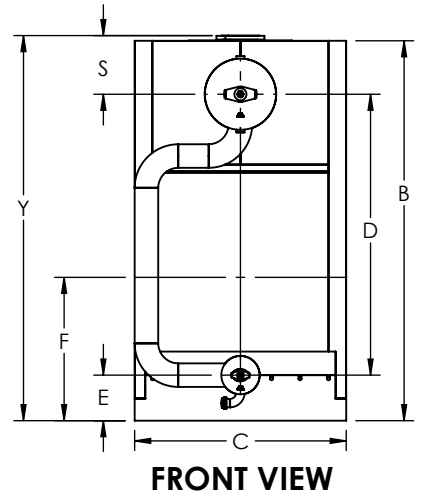


FLUE GAS OUTLET CONNECTION		
FLANGE DIMENSIONS	in	mm
O.D.	29.00	737
I.D.	24.25	616
B.C.D	26.50	673
HOLE DIAMETER	0.53	13
No. OF HOLES	12	



GENERAL DIMENSIONS		
	in	mm
A	186.88	4747
B	106.85	2714
C	59.50	1511
D	79.00	2007
E	12.81	325
F	40.31	1024
G	8.00	203
H	23.24	590
J	23.10	587
K	18.94	481
L	43.00	1092
M	20.00	508
N	10.75	273
O	24.00	610
P	19.18	487
Q	2.00	51
R	0.00	0
S	16.50	419
T	92.30	2344
U	2.00	51
V	61.81	1570
W	229.10	5819
X	0.00	0
Y	108.31	2751

NOTE: DIMENSIONS SUBJECT TO CHANGE WITHOUT NOTICE. CONSULT FACTORY FOR CERTIFIED DIMENSIONS.



ZONE	REV.	DESCRIPTION	DATE
REVISIONS			

PROJECT:	-
LOCATION:	-
MODEL:	ZF 1600LS
BURNER:	-
ELECTRIC:	-
SUPPLY PSI:	-

UNILUX ADVANCED MFG., LLC.

30 COMMERCE PARK DRIVE
NISKAYUNA, NY 12309
Ph: (518) 344-7490

THIS DRAWING EMBODIES A CONFIDENTIAL PROPRIETARY DESIGN. ALL RIGHTS FOR REPRODUCTION, MANUFACTURING OR PATENTS ARE RESERVED BY UNILUX ADVANCED MANUFACTURING, LLC.

Drawn By: -	Date: -
Checked By: -	Date: -
Drawing No. : ZF 1600LS-SUBMITTAL	
File No. : QBXXX	REV. : 00