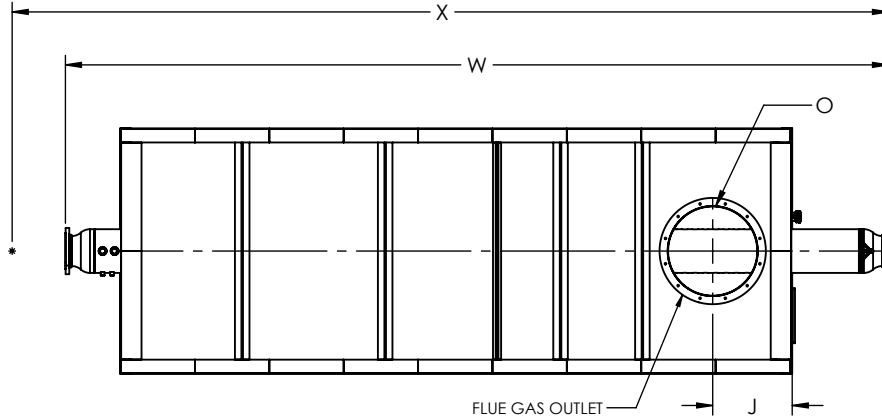


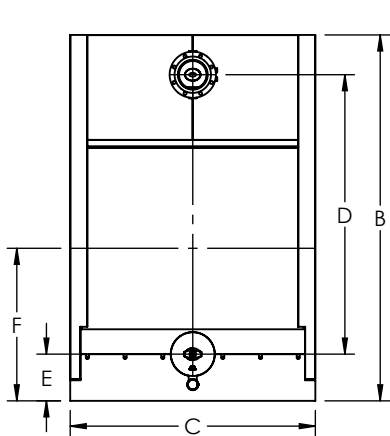
| FLUE GAS OUTLET CONNECTION | | |
|----------------------------|-----------|-----------|
| FLANGE DIMENSIONS | in | mm |
| O.D. | 31.00 | 787 |
| I.D. | 26.25 | 667 |
| B.C.D | 28.50 | 724 |
| HOLE DIAMETER | 0.53 | 13 |
| No. OF HOLES | 12 | |



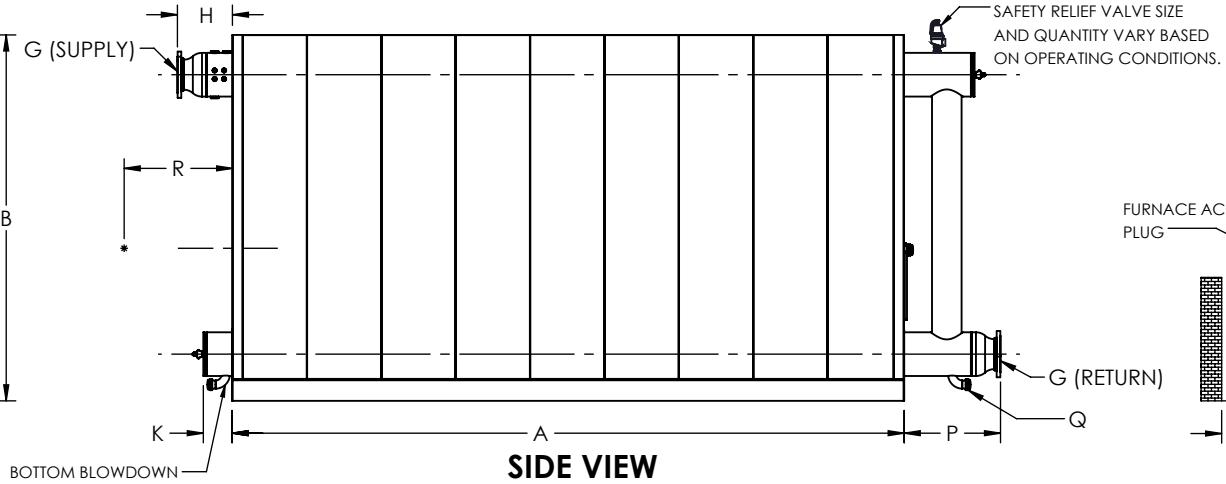
TOP VIEW

| GENERAL DIMENSIONS | | |
|--------------------|-----------|-----------|
| | in | mm |
| A | 196.05 | 4980 |
| B | 106.72 | 2711 |
| C | 71.50 | 1816 |
| D | 81.50 | 2070 |
| E | 13.63 | 346 |
| F | 44.50 | 1130 |
| G | 8.00 | 203 |
| H | 16.04 | 408 |
| J | 23.08 | 586 |
| K | 8.38 | 213 |
| L | 55.00 | 1397 |
| M | 12.75 | 324 |
| N | 12.75 | 324 |
| O | 26.00 | 660 |
| P | 28.09 | 714 |
| Q | 2.00 | 51 |
| R | 0.00 | 0 |
| W | 240.07 | 6098 |
| X | 0.00 | 0 |

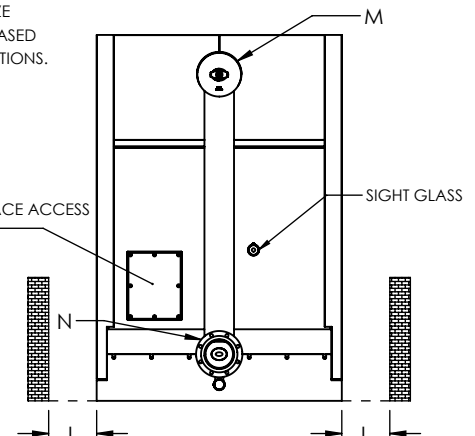
NOTE: DIMENSIONS SUBJECT TO CHANGE WITHOUT NOTICE. CONSULT FACTORY FOR CERTIFIED DIMENSIONS.



FRONT VIEW



SIDE VIEW



REAR VIEW

BOTTOM BLOWDOWN

UNILUX ADVANCED MFG., LLC.

30 COMMERCE PARK DRIVE
NISKAYUNA, NY 12309
Ph: (518) 344-7490



THIS DRAWING EMBODIES A CONFIDENTIAL PROPRIETARY DESIGN. ALL RIGHTS FOR REPRODUCTION, MANUFACTURING OR PATENTS ARE RESERVED BY UNILUX ADVANCED MANUFACTURING, LLC.

| | |
|-------------|----------|
| PROJECT: | - |
| LOCATION: | - |
| MODEL: | ZF 2000W |
| BURNER: | - |
| ELECTRIC: | - |
| SUPPLY PSI: | - |

| | | | |
|--------------|--------------------|-------|----|
| Drawn By: | - | Date: | - |
| Checked By: | - | Date: | - |
| Drawing No.: | ZF 2000W-SUBMITTAL | | |
| File No.: | QBXXX | REV.: | 00 |

| ZONE | REV. | DESCRIPTION | DATE |
|-----------|------|-------------|------|
| REVISIONS | | | |