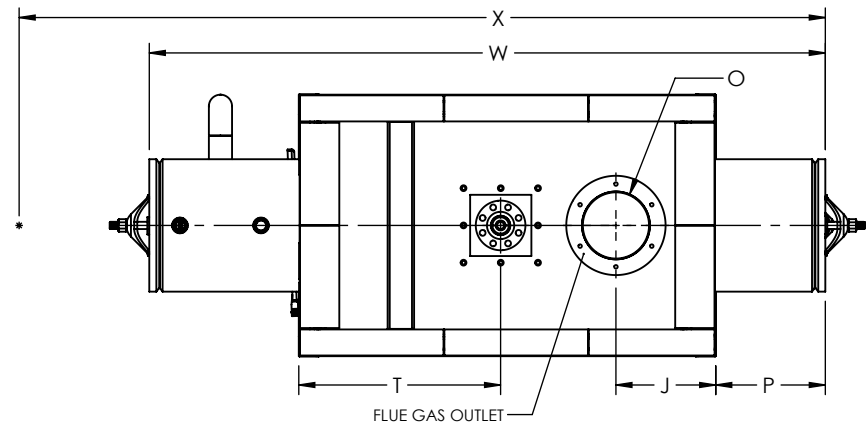


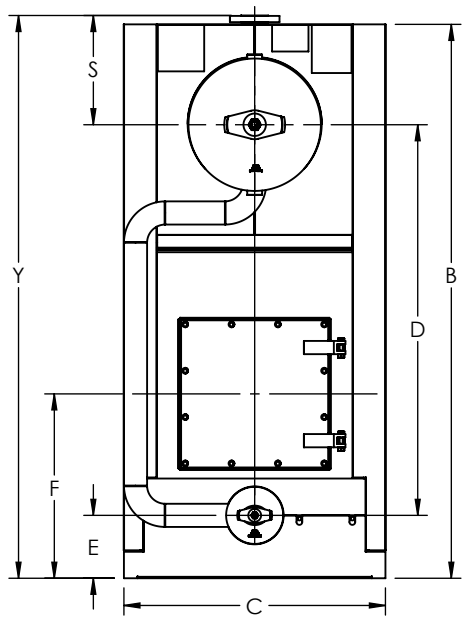
FLUE GAS OUTLET CONNECTION		
FLANGE DIMENSIONS	in	mm
O.D.	15.00	381
I.D.	10.25	260
B.C.D	12.50	318
HOLE DIAMETER	0.53	13
No. OF HOLES	6	



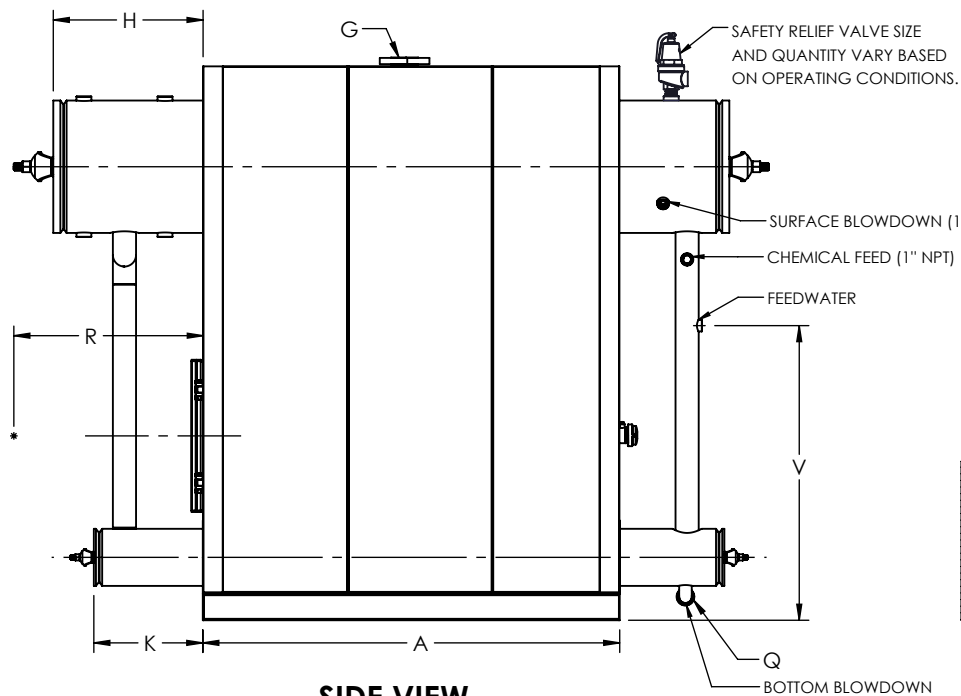
TOP VIEW

GENERAL DIMENSIONS			
	in	mm	
A	BOILER BASE LENGTH	62.97	1600
B	BOILER HOUSING HEIGHT	83.66	2125
C	BOILER BASE WIDTH	39.50	1003
D	CENTER OF BOTTOM DRUM TO CENTER OF TOP DRUM	59.00	1499
E	CENTER OF BOTTOM DRUM TO BOTTOM	9.50	241
F	CENTER OF BURNER OPENING TO BOTTOM	27.81	706
G	STEAM OUTLET, FLANGE, CLASS 300 (NPS)	2.50	64
H	TOP DRUM CLEARANCE FROM FRONT	22.63	575
J	CENTER OF FLUE GAS OUTLET TO REAR	15.03	382
K	BOTTOM DRUM CLEARANCE FROM FRONT	16.46	418
L	TUBE REMOVAL CLEARANCE FROM BASE	23.00	584
M	UPPER DRUM, O.D.	20.00	508
N	LOWER DRUM, O.D.	8.63	219
O	FLUE GAS OUTLET, I.D.	10.00	254
P	TOP DRUM CLEARANCE FROM REAR	16.60	422
Q	BOTTOM BLOWDOWN (NPT)	1.50	38
R	BURNER LENGTH	0.00	
S	CENTER OF TOP DRUM TO TOP OF STEAM OUTLET	16.50	419
T	CENTER OF STEAM OUTLET TO FRONT	30.44	773
U	FEEDWATER INLET, COUPLING (NPT)	1.00	25
V	FEEDWATER ELEVATION FROM BOTTOM	44.50	1130
W	OVERALL BOILER LENGTH	102.11	2594
X	OVERALL BOILER LENGTH WITH BURNER	0.00	
Y	OVERALL BOILER HEIGHT	85.00	2159

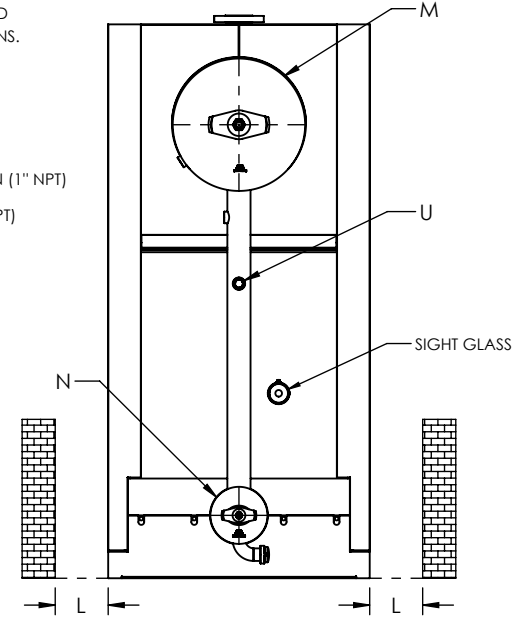
NOTE: DIMENSIONS SUBJECT TO CHANGE WITHOUT NOTICE. CONSULT FACTORY FOR CERTIFIED DIMENSIONS.



FRONT VIEW




SIDE VIEW



REAR VIEW

UNILUX ADVANCED MFG., LLC.
 30 COMMERCE PARK DRIVE
 NISKAYUNA, NY 12309
 Ph: (518) 344-7490



THIS DRAWING EMBODIES A CONFIDENTIAL PROPRIETARY DESIGN. ALL RIGHTS FOR REPRODUCTION, MANUFACTURING OR PATENTS ARE RESERVED BY UNILUX ADVANCED MANUFACTURING, LLC.

Drawn By: -	Date: -
Checked By: -	Date: -
Drawing No. : ZF 200HS-SUBMITTAL	
File No. : QBXXX	REV. : 00

PROJECT:	-
LOCATION:	-
MODEL:	ZF 200HS
BURNER:	-
ELECTRIC:	-
SUPPLY PSI:	-

ZONE	REV.	DESCRIPTION	DATE
		REVISIONS	