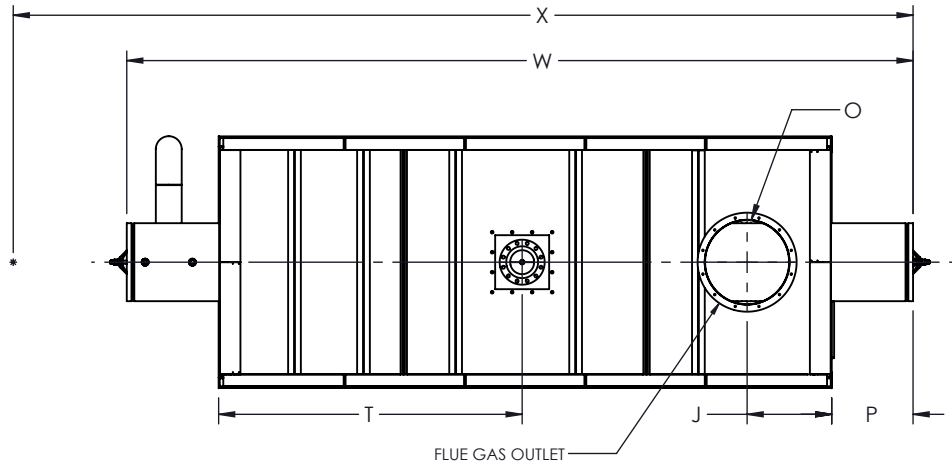


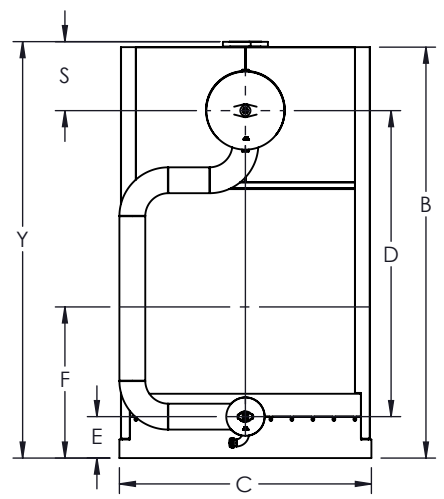
FLUE GAS OUTLET CONNECTION		
FLANGE DIMENSIONS	in	mm
O.D.	33.00	838
I.D.	28.25	718
B.C.D	30.50	775
HOLE DIAMETER	0.53	13
No. OF HOLES	12	



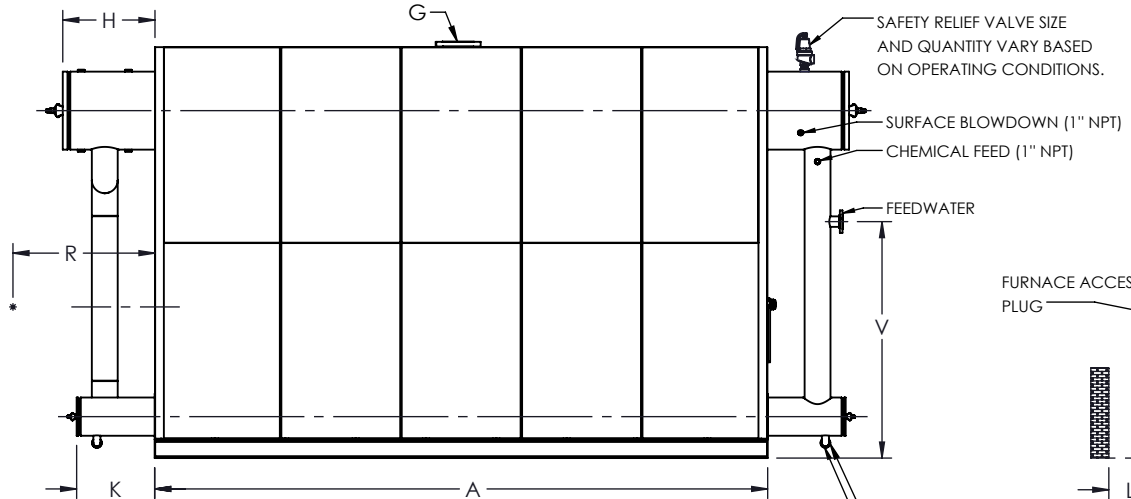
TOP VIEW

GENERAL DIMENSIONS			
	in	mm	
A	BOILER BASE LENGTH	204.34	5190
B	BOILER HOUSING HEIGHT	136.97	3479
C	BOILER BASE WIDTH	84.00	2134
D	CENTER OF BOTTOM DRUM TO CENTER OF TOP DRUM	102.00	2591
E	CENTER OF BOTTOM DRUM TO BOTTOM	13.81	351
F	CENTER OF BURNER OPENING TO BOTTOM	50.38	1280
G	STEAM OUTLET, FLANGE, CLASS 300 (NPS)	8.00	203
H	TOP DRUM CLEARANCE FROM FRONT	30.74	781
J	CENTER OF FLUE GAS OUTLET TO REAR	28.08	713
K	BOTTOM DRUM CLEARANCE FROM FRONT	26.00	660
L	TUBE REMOVAL CLEARANCE FROM BASE	66.00	1676
M	UPPER DRUM, O.D.	26.00	660
N	LOWER DRUM, O.D.	12.75	324
O	FLUE GAS OUTLET, I.D.	28.00	711
P	TOP DRUM CLEARANCE FROM REAR	27.24	692
Q	BOTTOM BLOWDOWN (NPT)	2.00	51
R	BURNER LENGTH	0.00	
S	CENTER OF TOP DRUM TO TOP OF STEAM OUTLET	23.00	584
T	CENTER OF STEAM OUTLET TO FRONT	101.06	2567
U	FEEDWATER INLET, FLANGE, CLASS 300 (NPS)	3.00	76
V	FEEDWATER ELEVATION FROM BOTTOM	78.81	2002
W	OVERALL BOILER LENGTH	262.10	6657
X	OVERALL BOILER LENGTH WITH BURNER	0.00	
Y	OVERALL BOILER HEIGHT	138.81	3526

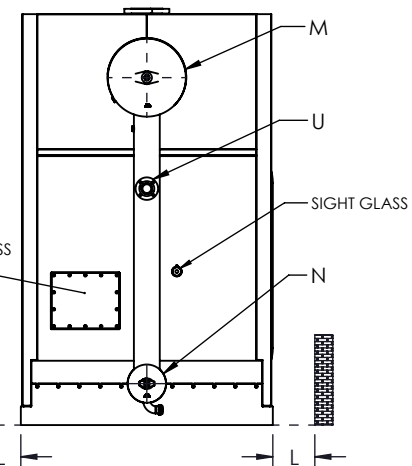
NOTE: DIMENSIONS SUBJECT TO CHANGE WITHOUT NOTICE. CONSULT FACTORY FOR CERTIFIED DIMENSIONS.



FRONT VIEW




SIDE VIEW



REAR VIEW

UNILUX ADVANCED MFG., LLC.
 30 COMMERCE PARK DRIVE
 NISKAYUNA, NY 12309
 Ph: (518) 344-7490



THIS DRAWING EMBODIES A CONFIDENTIAL PROPRIETARY DESIGN. ALL RIGHTS FOR REPRODUCTION, MANUFACTURING OR PATENTS ARE RESERVED BY UNILUX ADVANCED MANUFACTURING, LLC.

Drawn By:	-	Date:	-
Checked By:	-	Date:	-
Drawing No.:	ZF 2500HS-SUBMITTAL		
File No.:	QBXXX	REV.:	00

PROJECT:	-
LOCATION:	-
MODEL:	ZF 2500HS
BURNER:	-
ELECTRIC:	-
SUPPLY PSI:	-

ZONE	REV.	DESCRIPTION	DATE
REVISIONS			