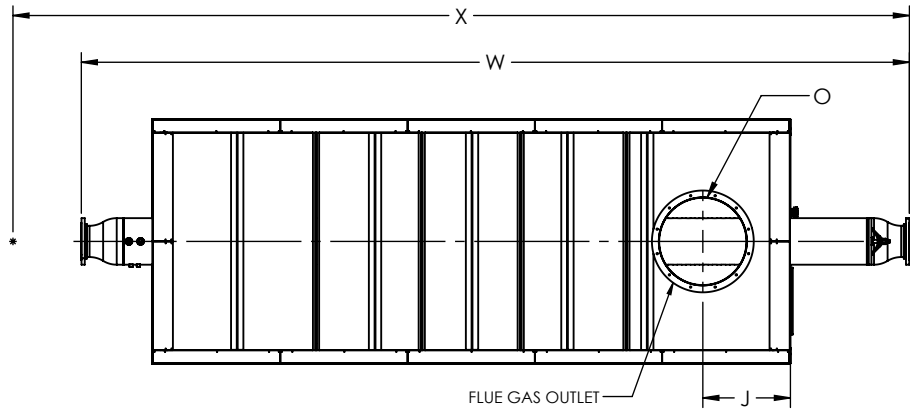


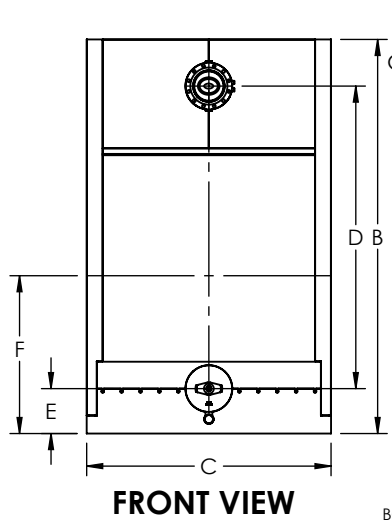
FLUE GAS OUTLET CONNECTION		
FLANGE DIMENSIONS	in	mm
O.D.	35.00	889
I.D.	30.25	768
B.C.D	32.50	826
HOLE DIAMETER	0.53	13
No. OF HOLES	12	



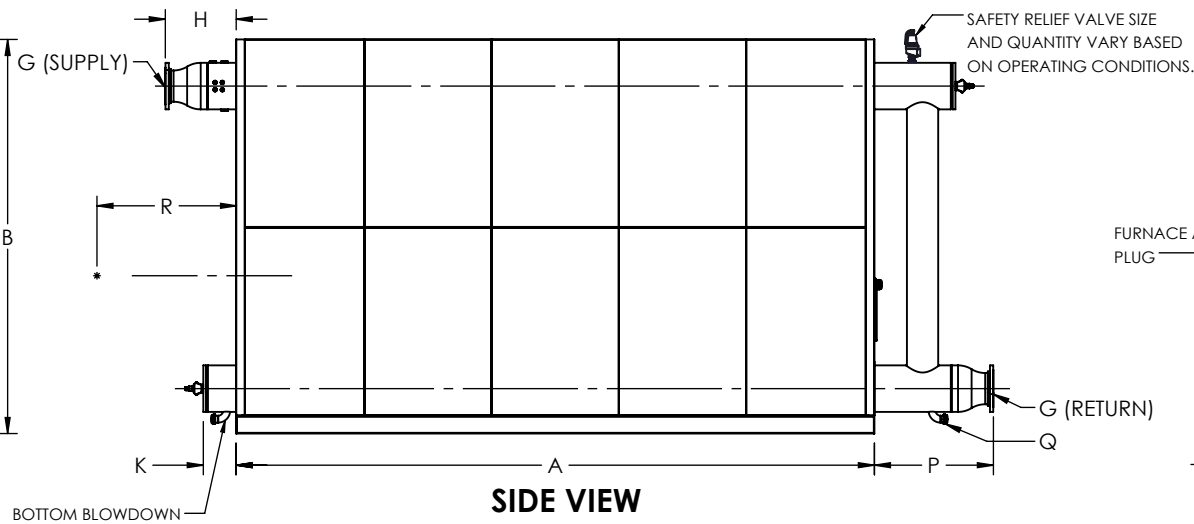
TOP VIEW

GENERAL DIMENSIONS		
	in	mm
A	BOILER BASE LENGTH	219.45 5574
B	OVERALL BOILER HEIGHT	135.47 3441
C	BOILER BASE WIDTH	84.00 2134
D	CENTER OF BOTTOM DRUM TO CENTER OF TOP DRUM	104.00 2642
E	CENTER OF BOTTOM DRUM TO BOTTOM	15.44 392
F	CENTER OF BURNER OPENING TO BOTTOM	54.25 1378
G	SUPPLY/RETURN NOZZLE, FLANGE, CLASS 150 (NPS)	10.00 254
H	SUPPLY NOZZLE CLEARANCE FROM FRONT	24.33 618
J	CENTER OF FLUE GAS OUTLET TO REAR	30.09 764
K	BOTTOM DRUM CLEARANCE FROM FRONT	11.25 286
L	TUBE REMOVAL CLEARANCE FROM BASE	66.00 1676
M	UPPER DRUM, O.D.	16.00 406
N	LOWER DRUM, O.D.	16.00 406
O	FLUE GAS OUTLET, I.D.	30.00 762
P	RETURN NOZZLE CLEARANCE FROM REAR	40.90 1039
Q	BOTTOM BLOWDOWN (NPT)	2.00 51
R	BURNER LENGTH	0.00 0
W	OVERALL BOILER LENGTH	284.66 7230
X	OVERALL BOILER LENGTH WITH BURNER	0.00 0

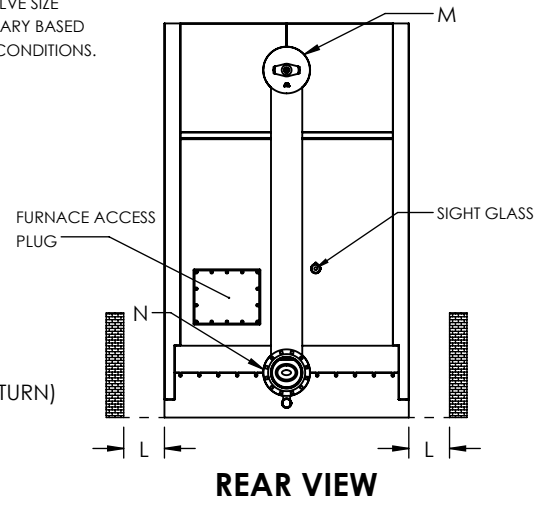
NOTE: DIMENSIONS SUBJECT TO CHANGE WITHOUT NOTICE. CONSULT FACTORY FOR CERTIFIED DIMENSIONS.



FRONT VIEW



SIDE VIEW




REAR VIEW

ZONE	REV.	DESCRIPTION	DATE
REVISIONS			

PROJECT:	-
LOCATION:	-
MODEL:	ZF 2900W
BURNER:	-
ELECTRIC:	-
SUPPLY PSI:	-

UNILUX ADVANCED MFG., LLC.
 30 COMMERCE PARK DRIVE
 NISKAYUNA, NY 12309
 Ph: (518) 344-7490



THIS DRAWING EMBODIES A CONFIDENTIAL PROPRIETARY DESIGN. ALL RIGHTS FOR REPRODUCTION, MANUFACTURING OR PATENTS ARE RESERVED BY UNILUX ADVANCED MANUFACTURING, LLC.

Drawn By:	-	Date:	-
Checked By:	-	Date:	-
Drawing No.:	ZF 2900W-SUBMITTAL		
File No.:	QBXXX	REV.:	00