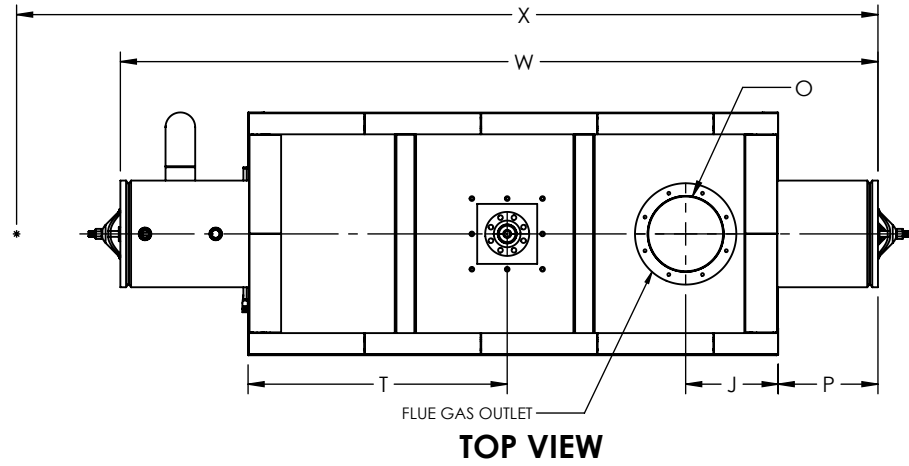
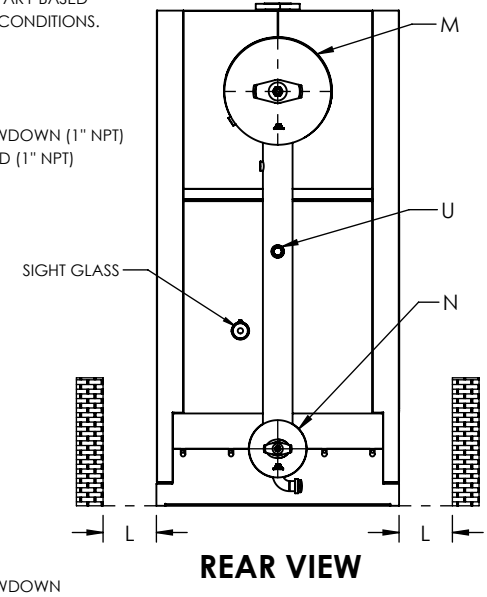
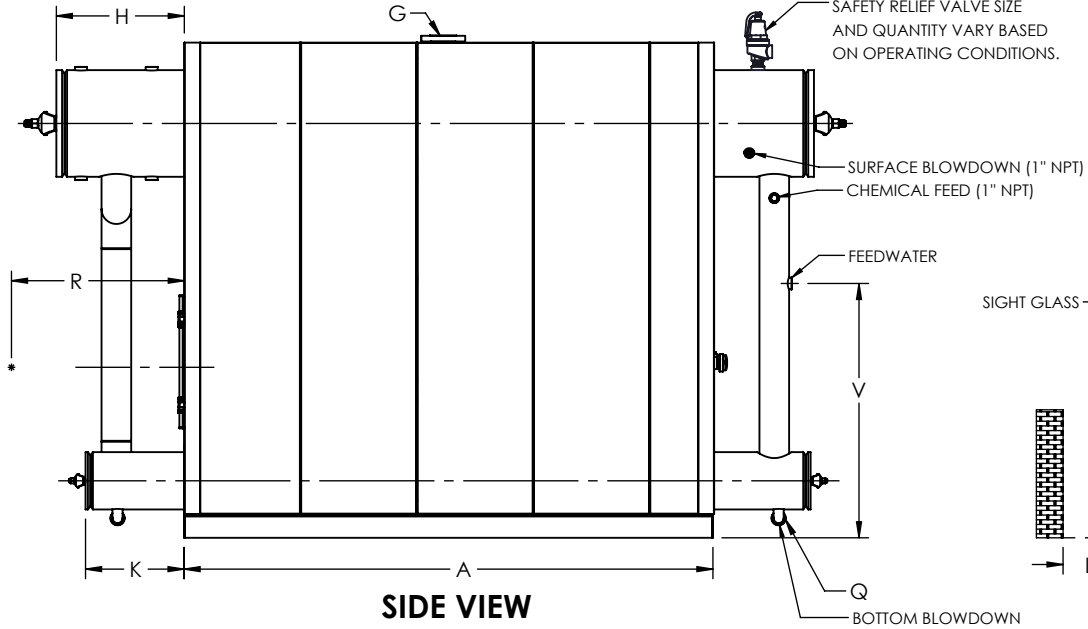
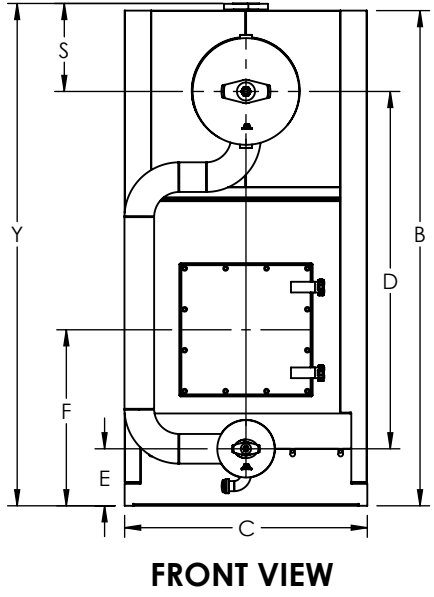


FLUE GAS OUTLET CONNECTION		
FLANGE DIMENSIONS	in	mm
O.D.	19.00	483
I.D.	14.25	362
B.C.D	16.50	419
HOLE DIAMETER	0.53	13
No. OF HOLES	8	



GENERAL DIMENSIONS		
	in	mm
A	99.16	2519
B	92.91	2360
C	45.50	1156
D	67.00	1702
E	10.69	271
F	33.00	838
G	3.00	76
H	23.99	609
J	17.35	441
K	18.48	469
L	29.00	737
M	20.00	508
N	10.75	273
O	14.00	356
P	18.71	475
Q	1.50	38
R	0.00	
S	16.50	419
T	48.54	1233
U	1.25	32
V	47.69	1211
W	142.05	3608
X	0.00	
Y	94.19	2392

NOTE: DIMENSIONS SUBJECT TO CHANGE WITHOUT NOTICE. CONSULT FACTORY FOR CERTIFIED DIMENSIONS.



UNILUX ADVANCED MFG., LLC.
 30 COMMERCE PARK DRIVE
 NISKAYUNA, NY 12309
 Ph: (518) 344-7490

THIS DRAWING EMBODIES A CONFIDENTIAL PROPRIETARY DESIGN. ALL RIGHTS FOR REPRODUCTION, MANUFACTURING OR PATENTS ARE RESERVED BY UNILUX ADVANCED MANUFACTURING, LLC.

Drawn By: -	Date: -
Checked By: -	Date: -
Drawing No. : ZF 500HS-SUBMITTAL	
File No. : QBXXX	REV. : 00

PROJECT:	-
LOCATION:	-
MODEL:	ZF 500HS
BURNER:	-
ELECTRIC:	-
SUPPLY PSI:	-

ZONE	REV.	DESCRIPTION	DATE
REVISIONS			