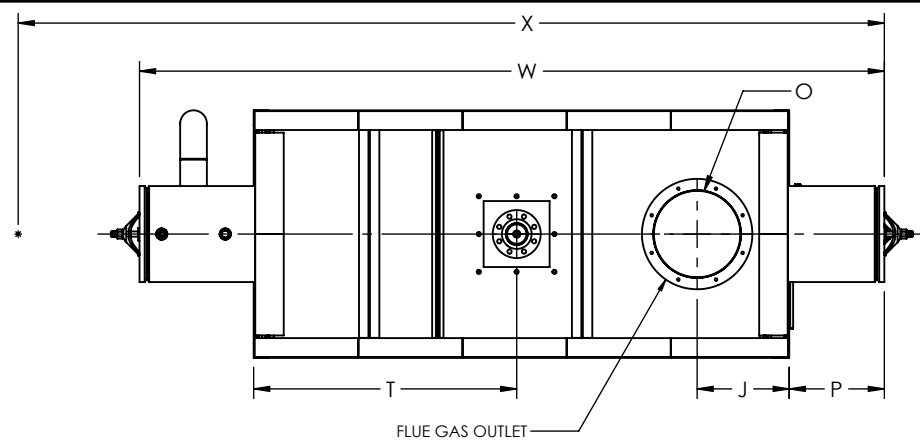


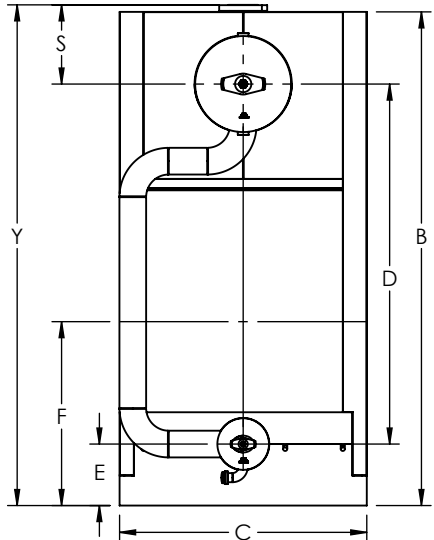
| FLUE GAS OUTLET CONNECTION | | |
|----------------------------|-------|-----|
| FLANGE DIMENSIONS | in | mm |
| O.D. | 23.00 | 584 |
| I.D. | 18.25 | 464 |
| B.C.D | 20.50 | 521 |
| HOLE DIAMETER | 0.53 | 13 |
| No. OF HOLES | 8 | |



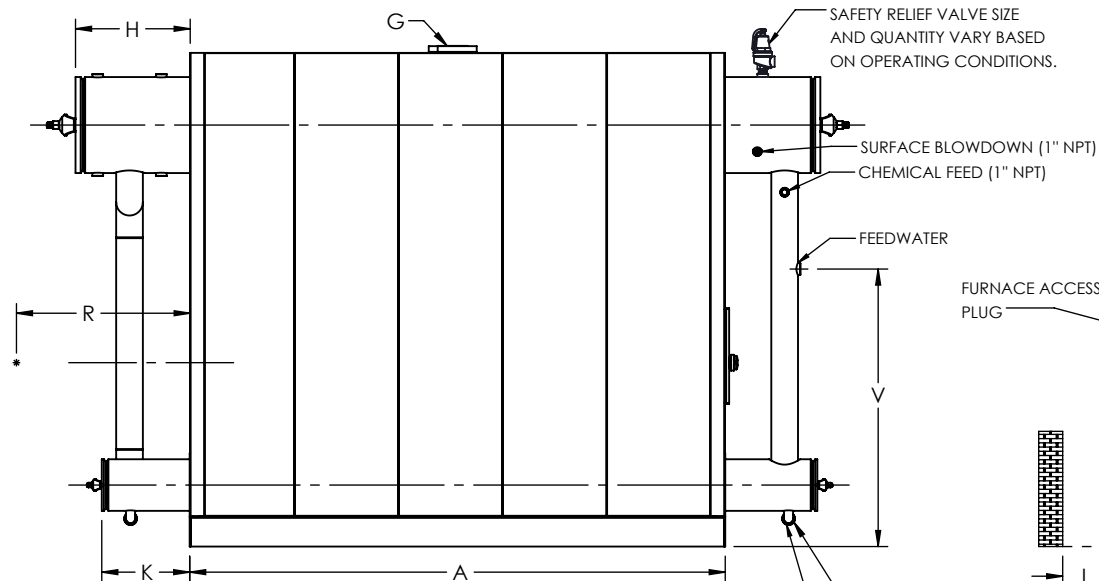
TOP VIEW

| GENERAL DIMENSIONS | | |
|--------------------|---|-------------|
| | in | mm |
| A | BOILER BASE LENGTH | 111.58 2834 |
| B | BOILER HOUSING HEIGHT | 102.85 2612 |
| C | BOILER BASE WIDTH | 51.50 1308 |
| D | CENTER OF BOTTOM DRUM TO CENTER OF TOP DRUM | 75.00 1905 |
| E | CENTER OF BOTTOM DRUM TO BOTTOM | 12.81 325 |
| F | CENTER OF BURNER OPENING TO BOTTOM | 38.31 973 |
| G | STEAM OUTLET, FLANGE, CLASS 300 (NPS) | 4.00 102 |
| H | TOP DRUM CLEARANCE FROM FRONT | 23.89 607 |
| J | CENTER OF FLUE GAS OUTLET TO REAR | 19.08 485 |
| K | BOTTOM DRUM CLEARANCE FROM FRONT | 18.31 465 |
| L | TUBE REMOVAL CLEARANCE FROM BASE | 35.00 889 |
| M | UPPER DRUM, O.D. | 20.00 508 |
| N | LOWER DRUM, O.D. | 10.75 273 |
| O | FLUE GAS OUTLET, I.D. | 18.00 457 |
| P | TOP DRUM CLEARANCE FROM REAR | 19.92 506 |
| Q | BOTTOM BLOWDOWN (NPT) | 1.50 38 |
| R | BURNER LENGTH | 0.00 |
| S | CENTER OF TOP DRUM TO TOP OF STEAM OUTLET | 16.50 419 |
| T | CENTER OF STEAM OUTLET TO FRONT | 54.69 1389 |
| U | FEEDWATER INLET, COUPLING (NPT) | 1.50 38 |
| V | FEEDWATER ELEVATION FROM BOTTOM | 57.81 1468 |
| W | OVERALL BOILER LENGTH | 155.17 3941 |
| X | OVERALL BOILER LENGTH WITH BURNER | 0.00 |
| Y | OVERALL BOILER HEIGHT | 104.31 2650 |

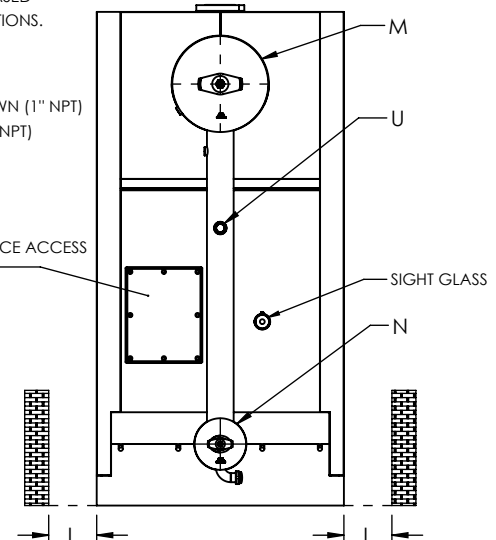
NOTE: DIMENSIONS SUBJECT TO CHANGE WITHOUT NOTICE. CONSULT FACTORY FOR CERTIFIED DIMENSIONS.



FRONT VIEW



SIDE VIEW



REAR VIEW

UNILUX ADVANCED MFG., LLC.
 30 COMMERCE PARK DRIVE
 NISKAYUNA, NY 12309
 Ph: (518) 344-7490



THIS DRAWING EMBODIES A CONFIDENTIAL PROPRIETARY DESIGN. ALL RIGHTS FOR REPRODUCTION, MANUFACTURING OR PATENTS ARE RESERVED BY UNILUX ADVANCED MANUFACTURING, LLC.

| | |
|-------------|----------|
| PROJECT: | - |
| LOCATION: | - |
| MODEL: | ZF 700HS |
| BURNER: | - |
| ELECTRIC: | - |
| SUPPLY PSI: | - |

| | | | |
|--------------|--------------------|-------|----|
| Drawn By: | - | Date: | - |
| Checked By: | - | Date: | - |
| Drawing No.: | ZF 700HS-SUBMITTAL | | |
| File No.: | QBXXX | REV.: | 00 |

| ZONE | REV. | DESCRIPTION | DATE |
|------|------|-------------|------|
| | | REVISIONS | |