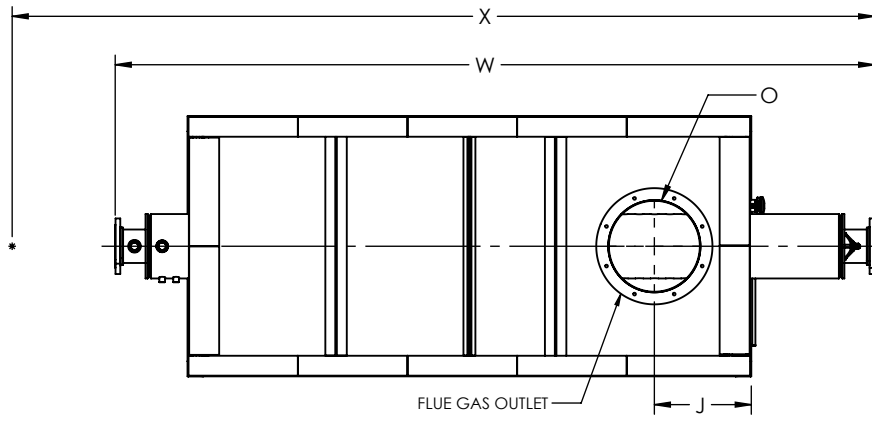


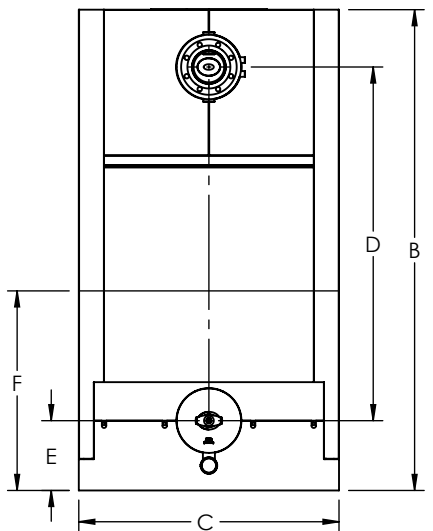
FLUE GAS OUTLET CONNECTION		
FLANGE DIMENSIONS	in	mm
O.D.	23.00	584
I.D.	18.25	464
B.C.D	20.50	521
HOLE DIAMETER	0.53	13
No. OF HOLES	8	



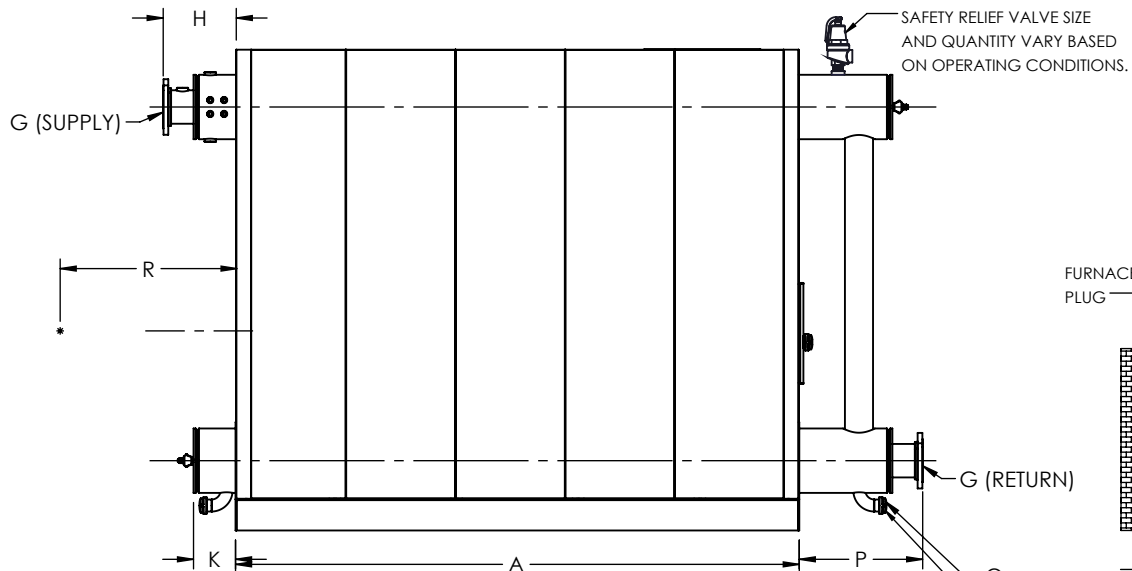
TOP VIEW

GENERAL DIMENSIONS		
	in	mm
A	BOILER BASE LENGTH	111.58 2834
B	OVERALL BOILER HEIGHT	95.16 2417
C	BOILER BASE WIDTH	51.50 1308
D	CENTER OF BOTTOM DRUM TO CENTER OF TOP DRUM	70.00 1778
E	CENTER OF BOTTOM DRUM TO BOTTOM	13.81 351
F	CENTER OF BURNER OPENING TO BOTTOM	39.50 1003
G	SUPPLY/RETURN NOZZLE, FLANGE, CLASS 150 (NPS)	6.00 152
H	SUPPLY NOZZLE CLEARANCE FROM FRONT	14.42 366
J	CENTER OF FLUE GAS OUTLET TO REAR	19.07 484
K	BOTTOM DRUM CLEARANCE FROM FRONT	8.31 211
L	TUBE REMOVAL CLEARANCE FROM BASE	35.00 889
M	UPPER DRUM, O.D.	12.75 324
N	LOWER DRUM, O.D.	12.75 324
O	FLUE GAS OUTLET, I.D.	18.00 457
P	RETURN NOZZLE CLEARANCE FROM REAR	24.43 621
Q	BOTTOM BLOWDOWN (NPT)	2.00 51
R	BURNER LENGTH	0.00 0
W	OVERALL BOILER LENGTH	150.31 3818
X	OVERALL BOILER LENGTH WITH BURNER	0.00 0

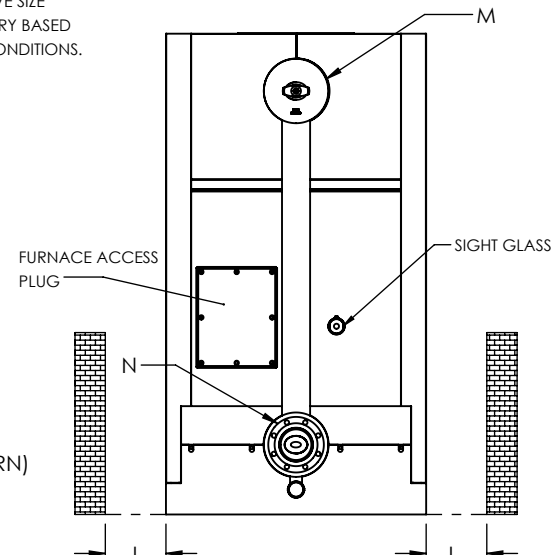
NOTE: DIMENSIONS SUBJECT TO CHANGE WITHOUT NOTICE. CONSULT FACTORY FOR CERTIFIED DIMENSIONS.



FRONT VIEW




SIDE VIEW



REAR VIEW

UNILUX ADVANCED MFG., LLC.
 30 COMMERCE PARK DRIVE
 NISKAYUNA, NY 12309
 Ph: (518) 344-7490



THIS DRAWING EMBODIES A CONFIDENTIAL PROPRIETARY DESIGN. ALL RIGHTS FOR REPRODUCTION, MANUFACTURING OR PATENTS ARE RESERVED BY UNILUX ADVANCED MANUFACTURING, LLC.

Drawn By: -	Date: -
Checked By: -	Date: -
Drawing No. : ZF 700W-SUBMITTAL	
File No. : QBXXX	REV. : 00

PROJECT:	-
LOCATION:	-
MODEL:	ZF 700W
BURNER:	-
ELECTRIC:	-
SUPPLY PSI:	-

ZONE	REV.	DESCRIPTION	DATE
REVISIONS			